

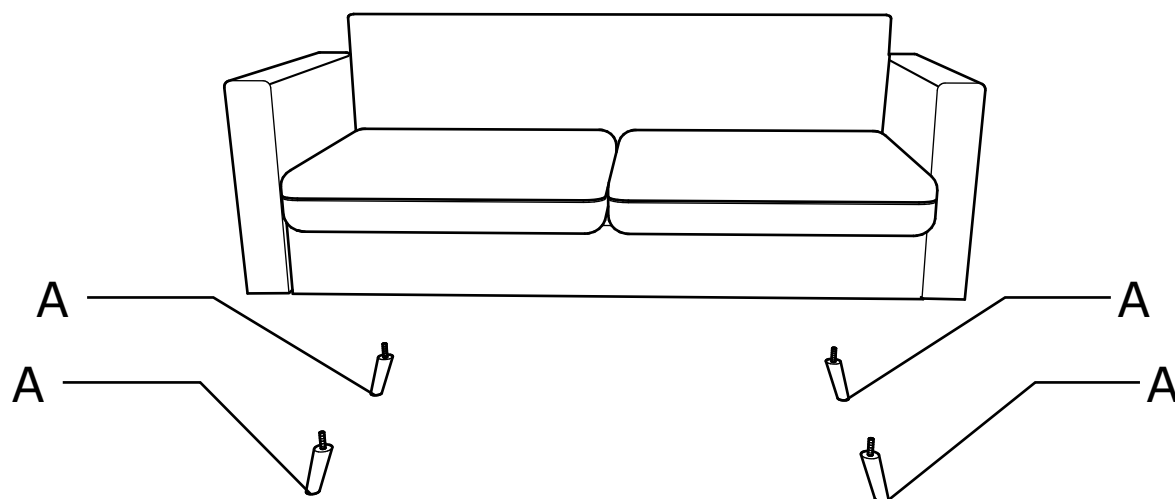
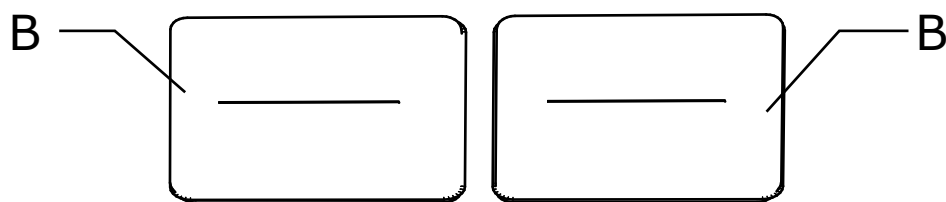
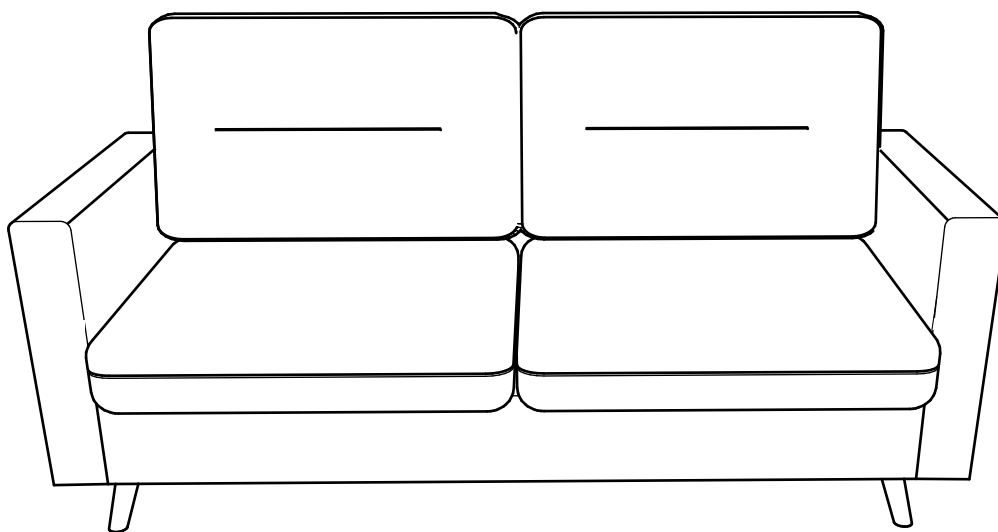
SINKI



15 min



x2



A


x4

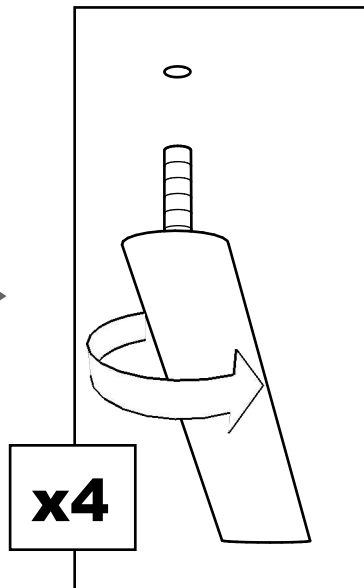
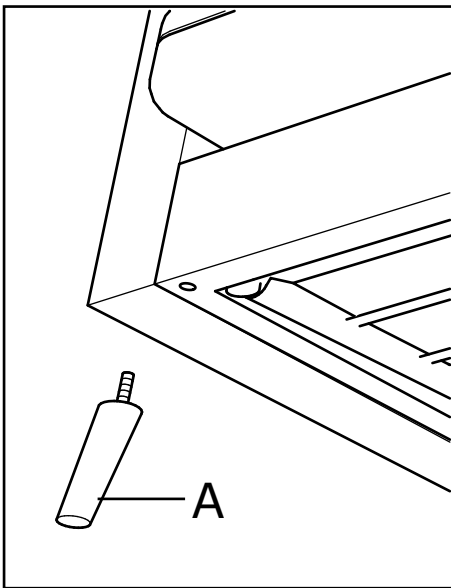
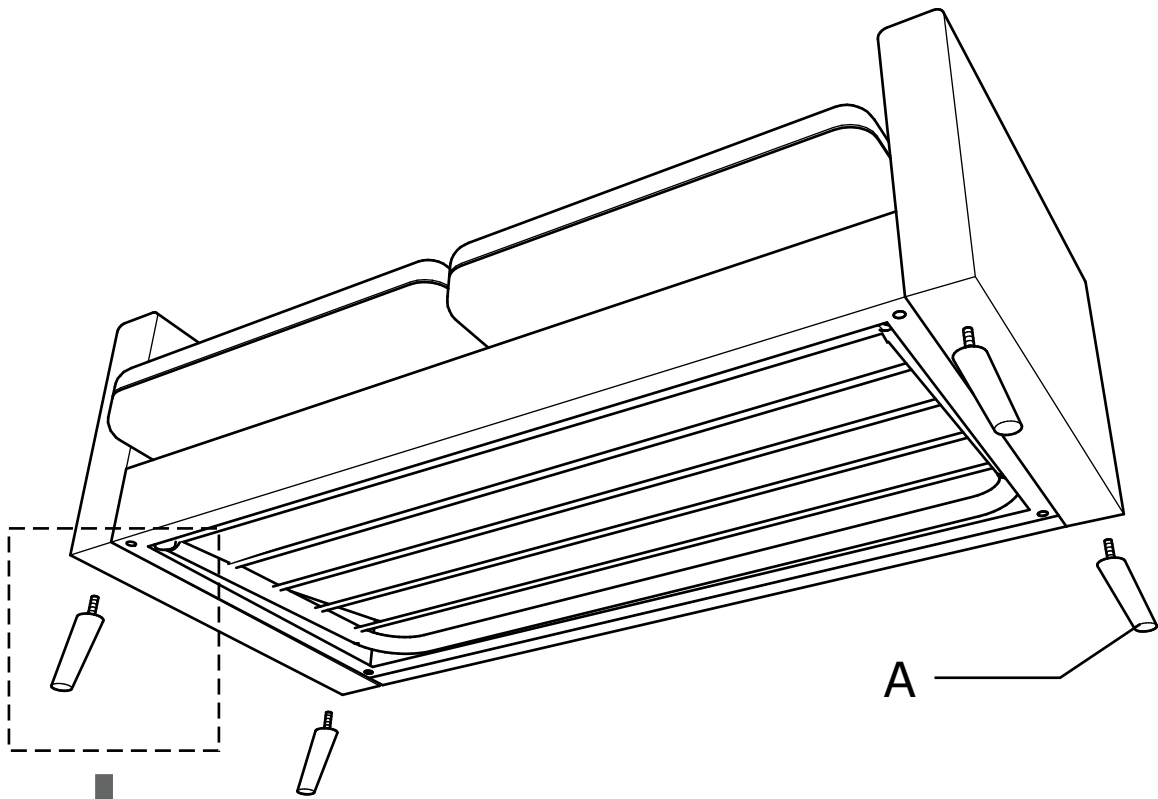
B

x2

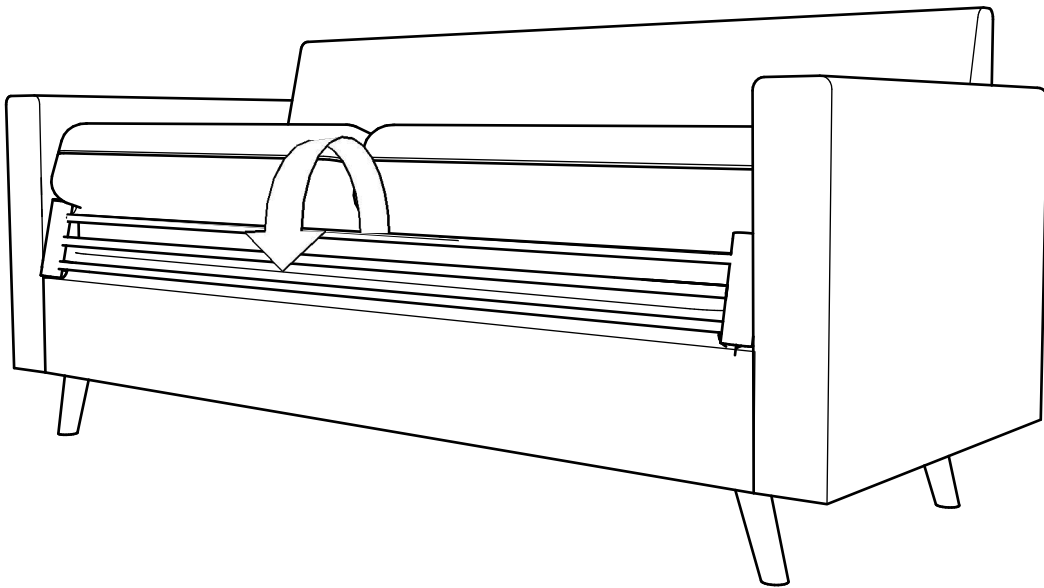
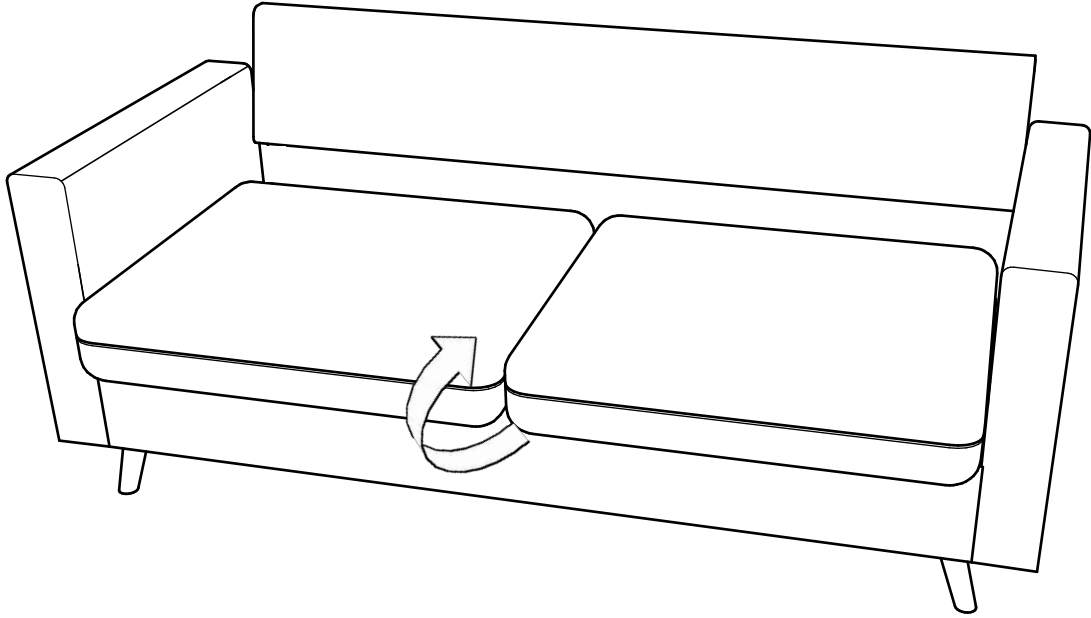


1

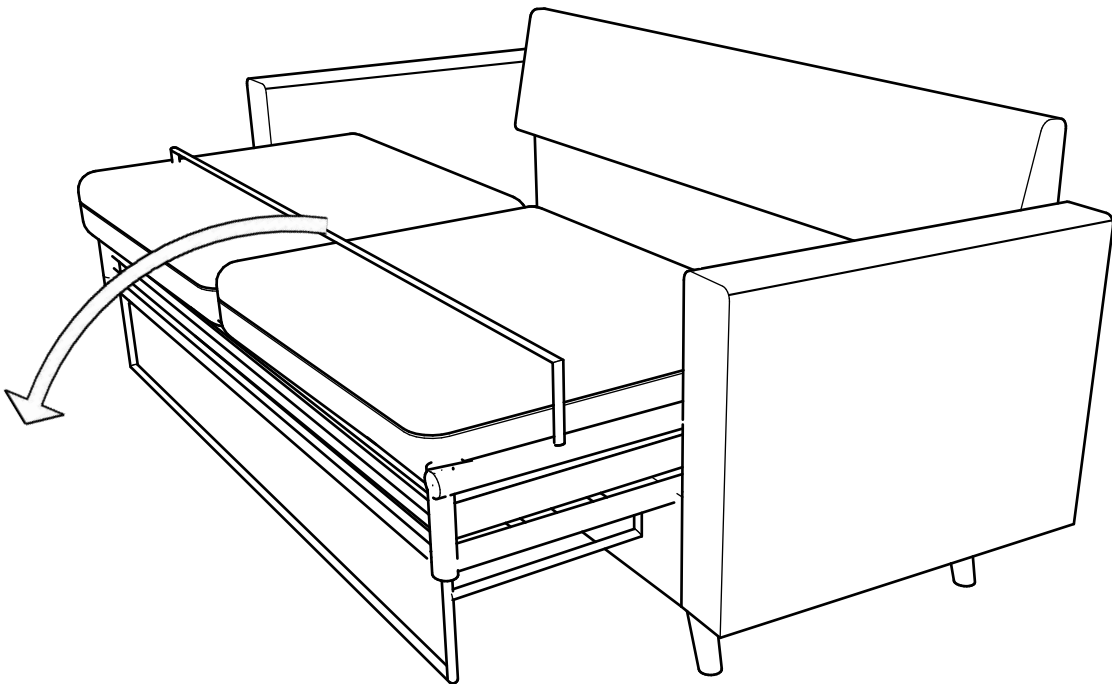
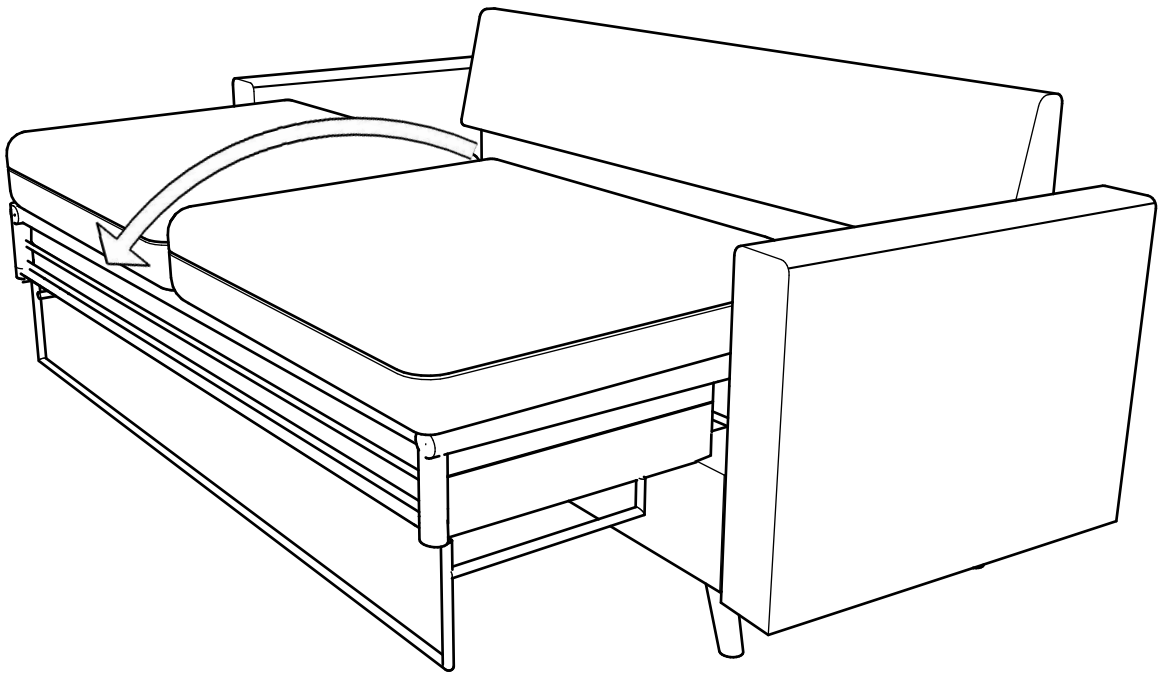

A x4



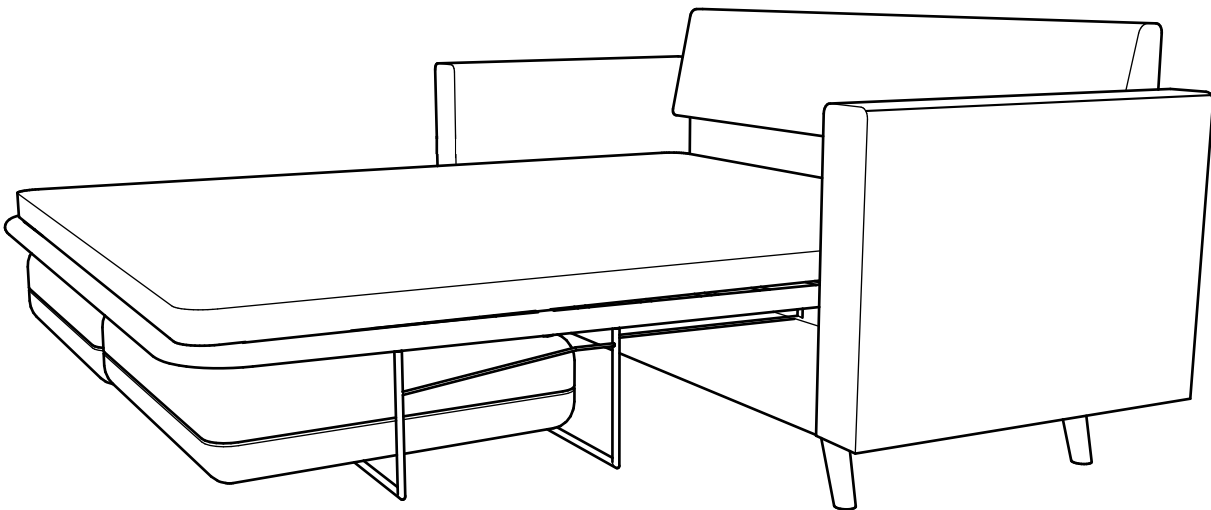
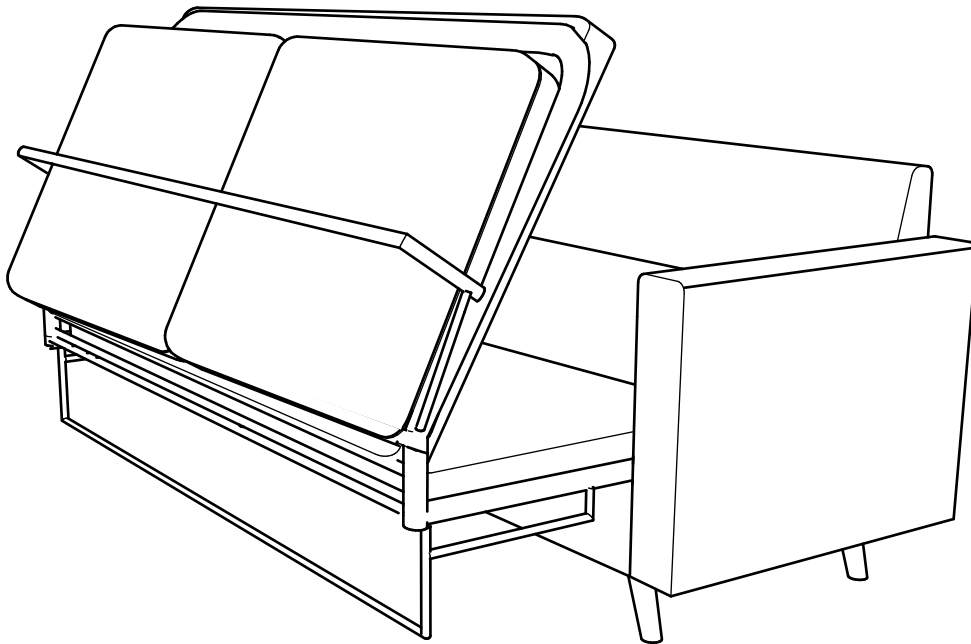
2



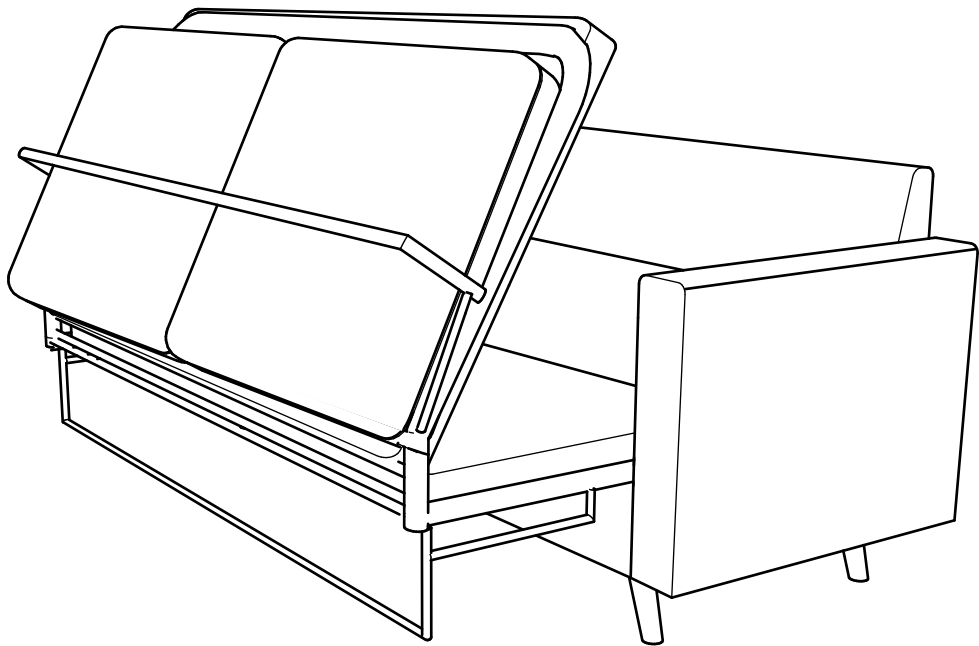
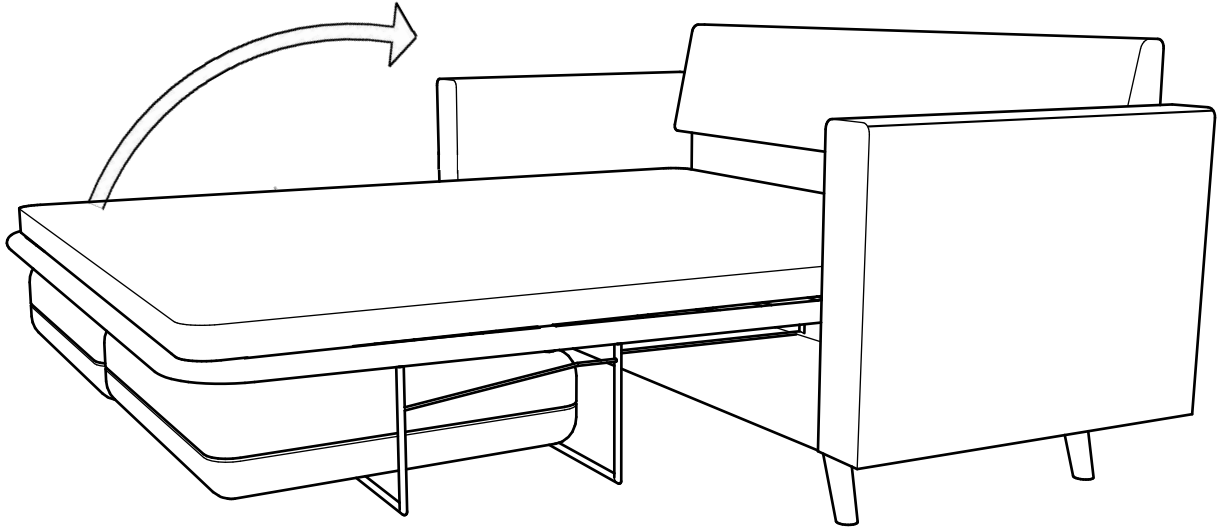
3



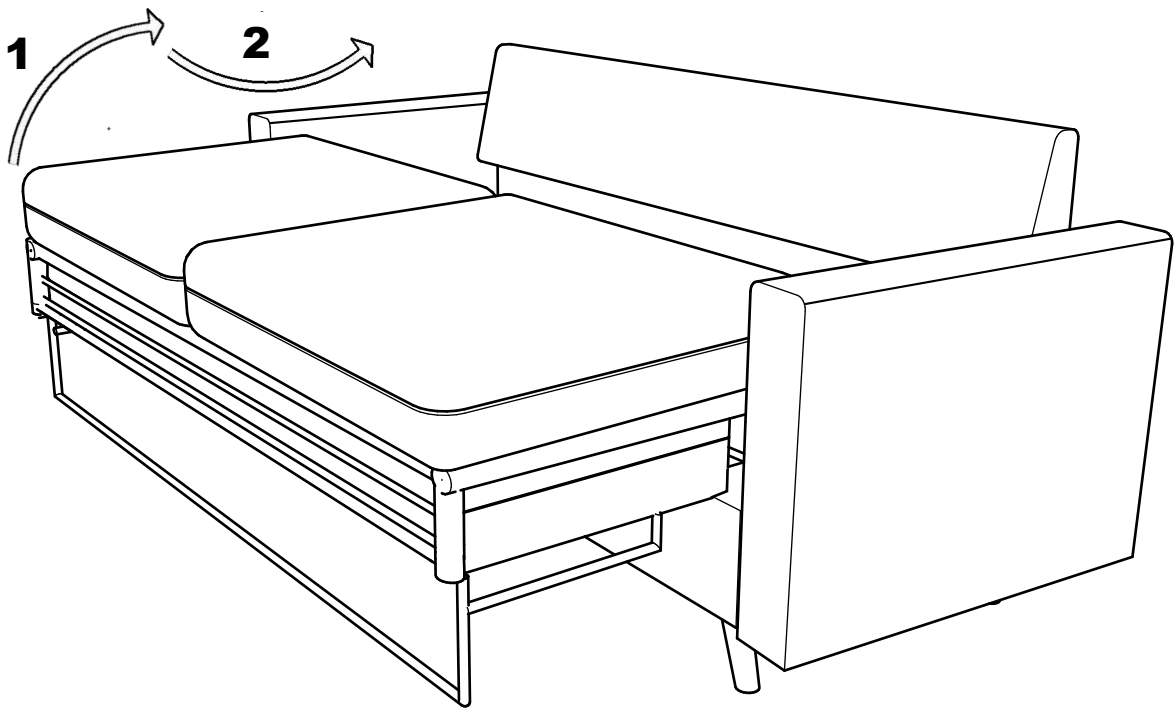
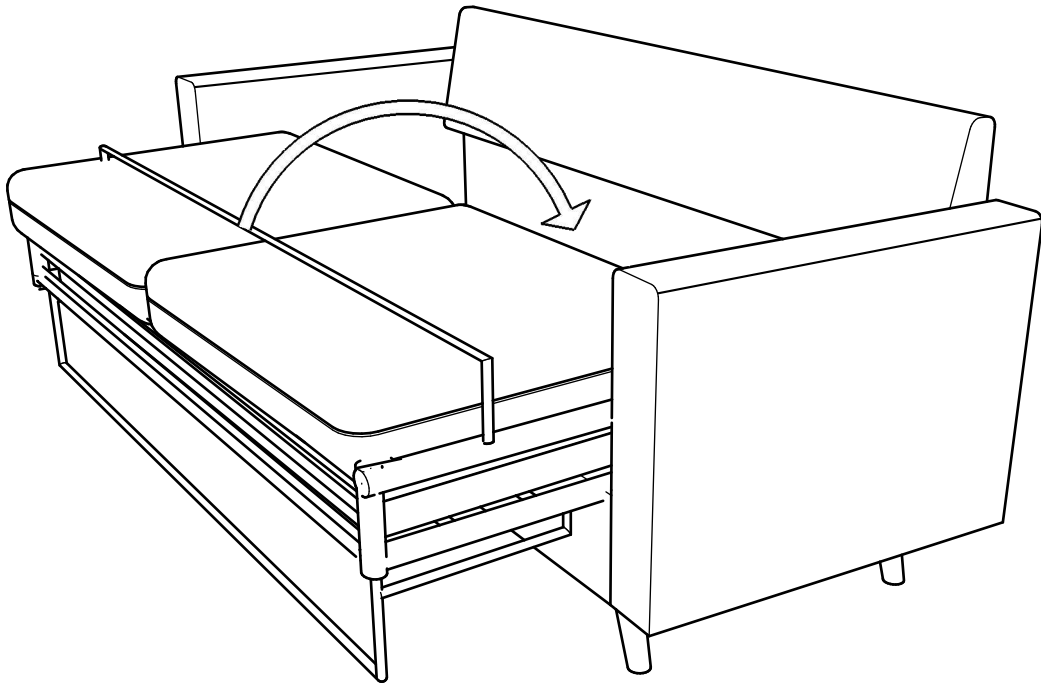
4



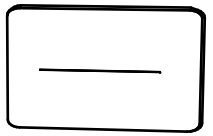
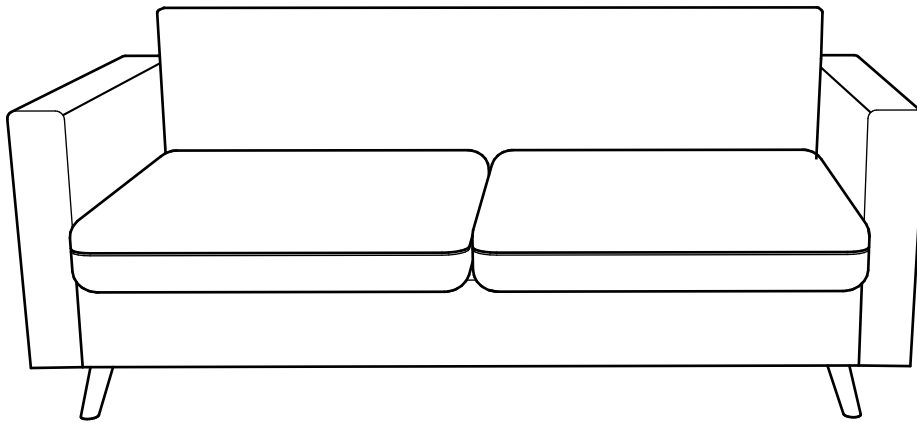
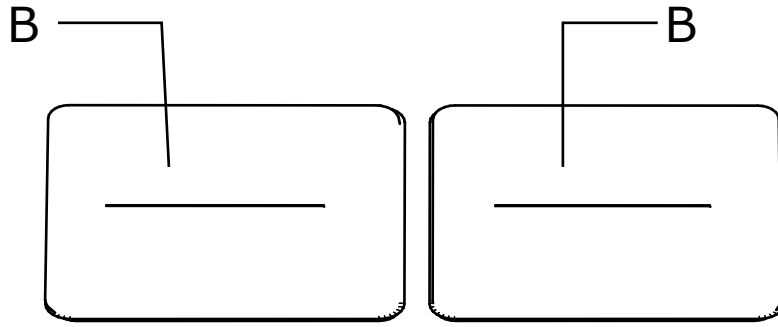
5



6



7



B

x2

