

NOTICE DE MONTAGE

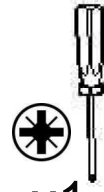
**SEATTLE
ANGLE**



30 min



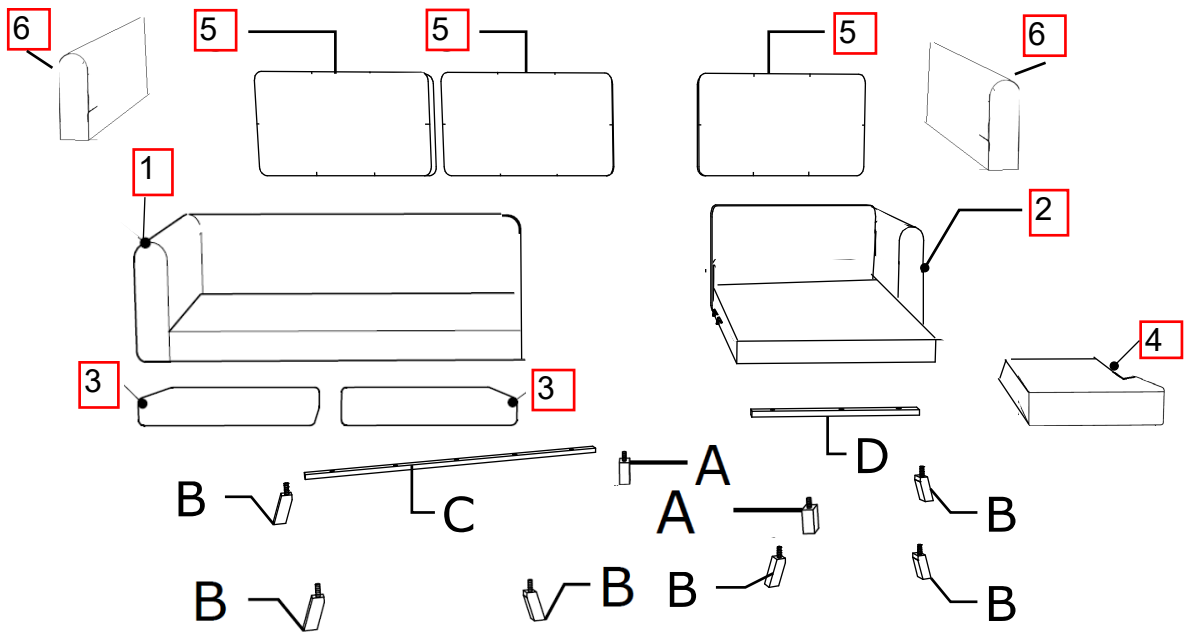
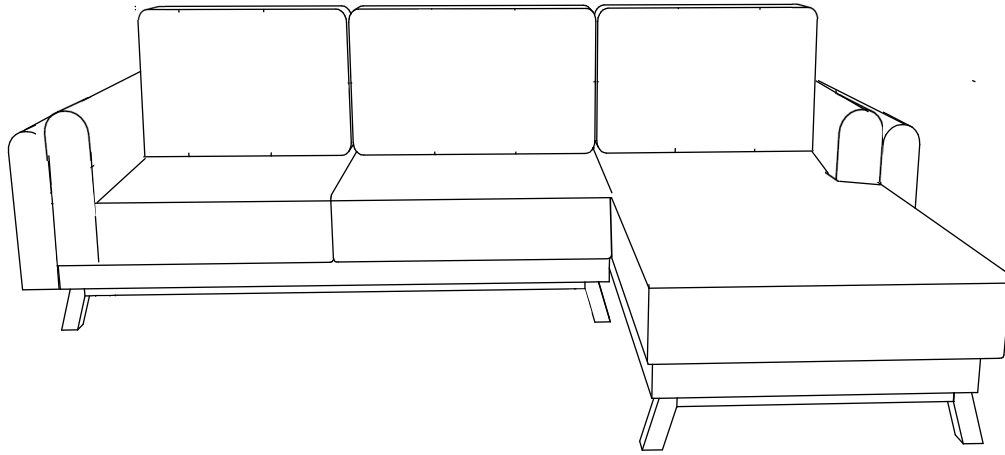
x1



x1



x2



A

x2

B

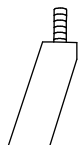
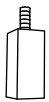
x6

C

x1

D

x1

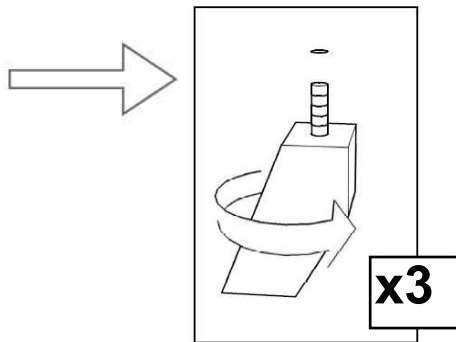
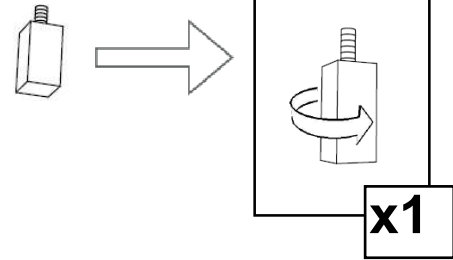
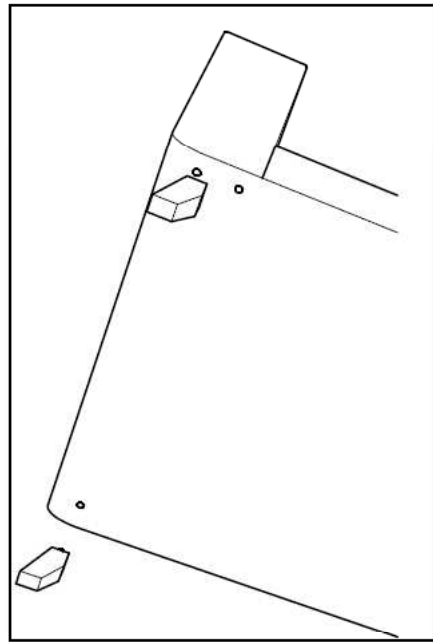
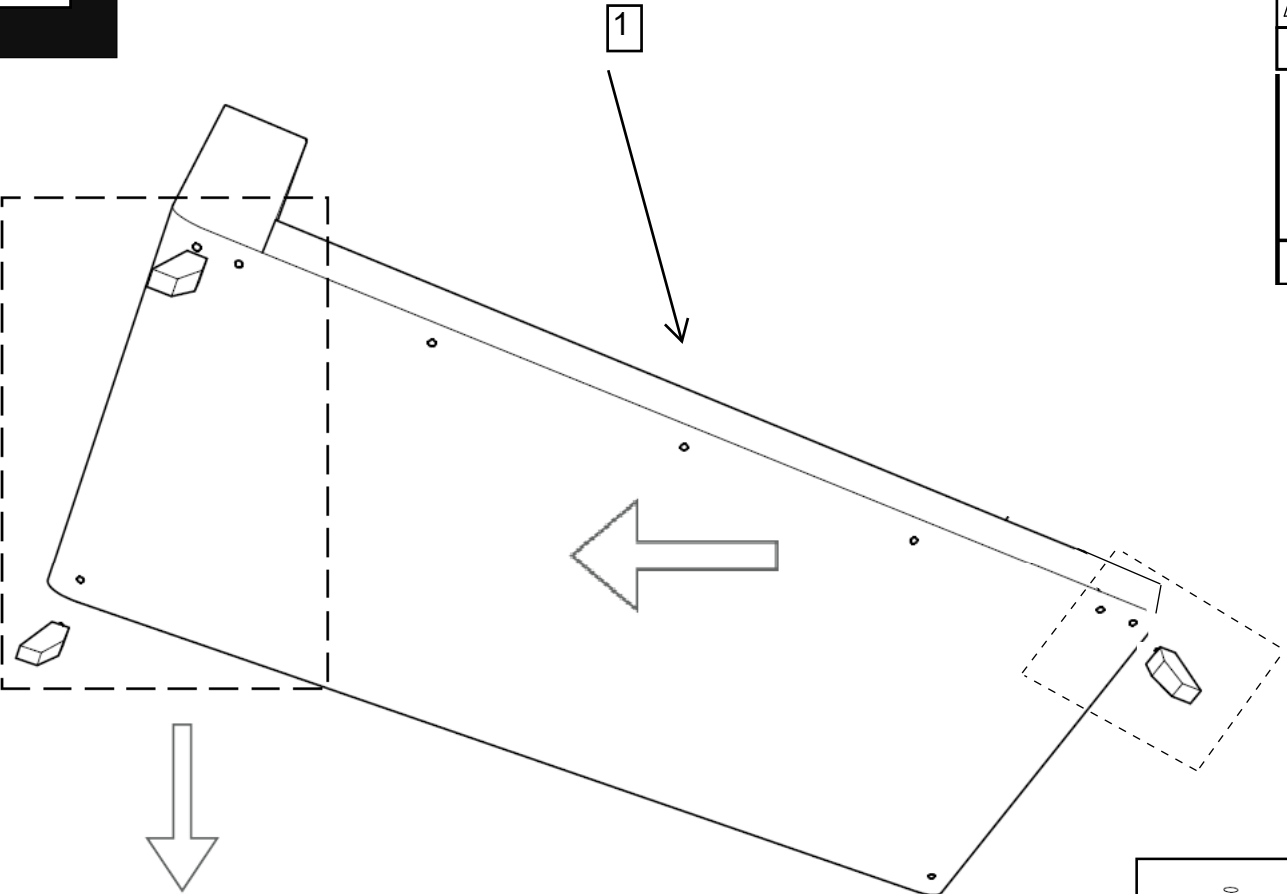


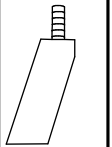
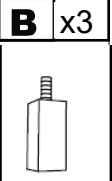
E

x8



1



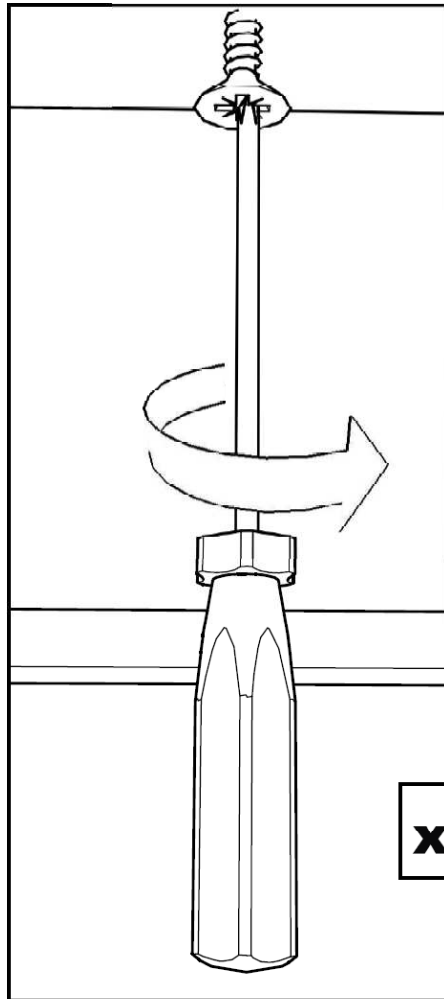
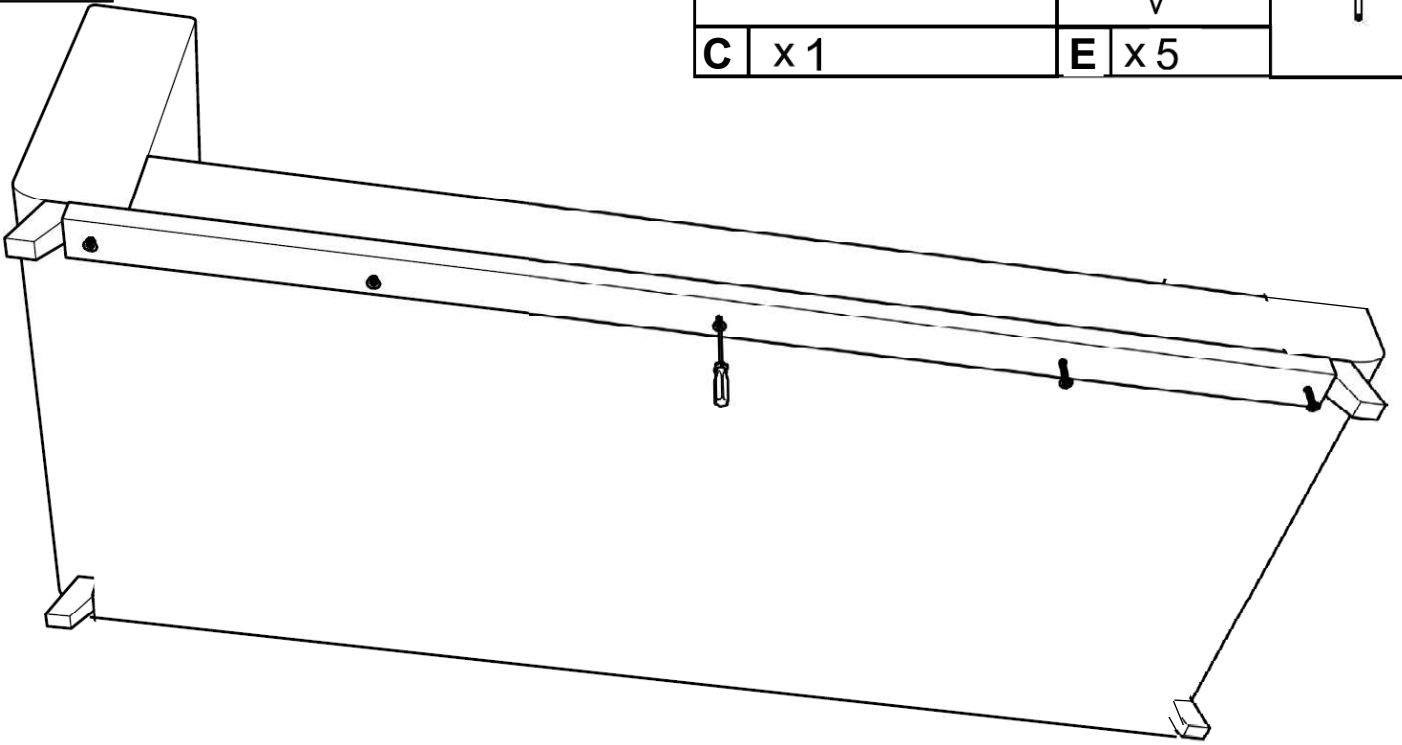

B x3

A x1

2



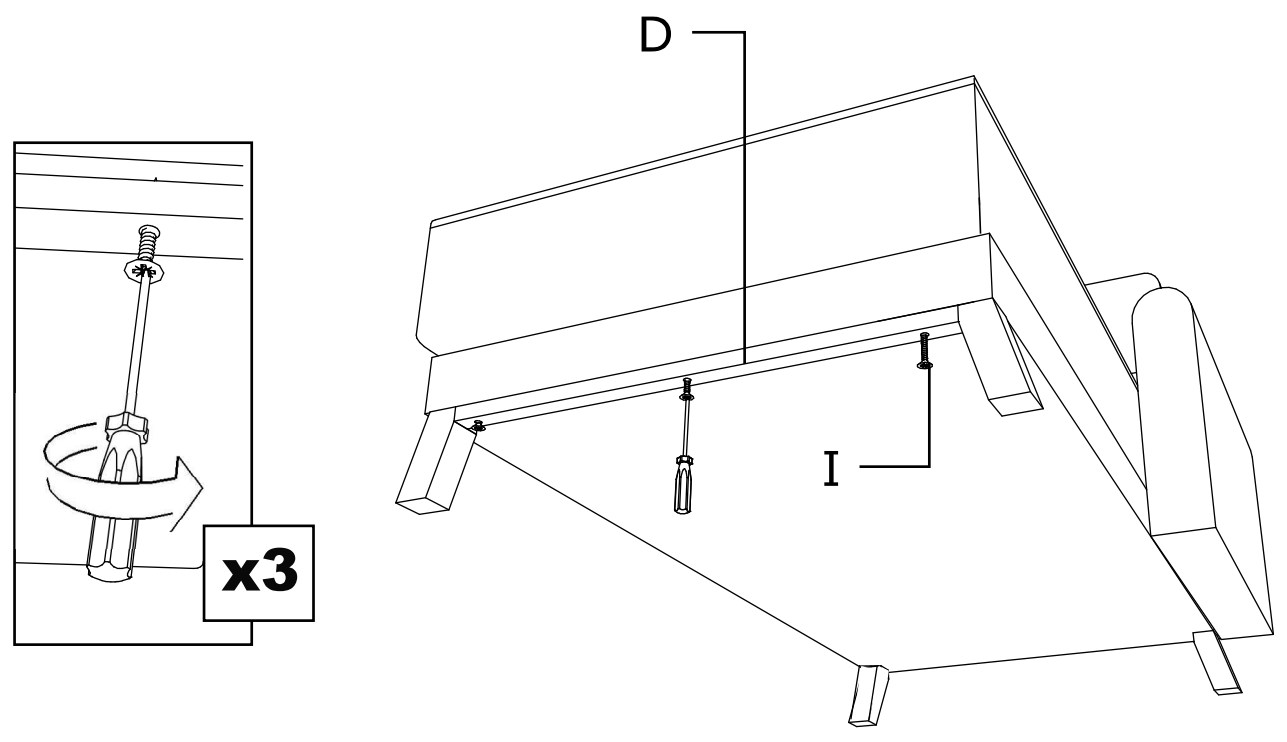
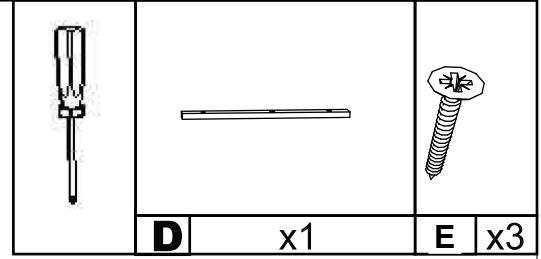
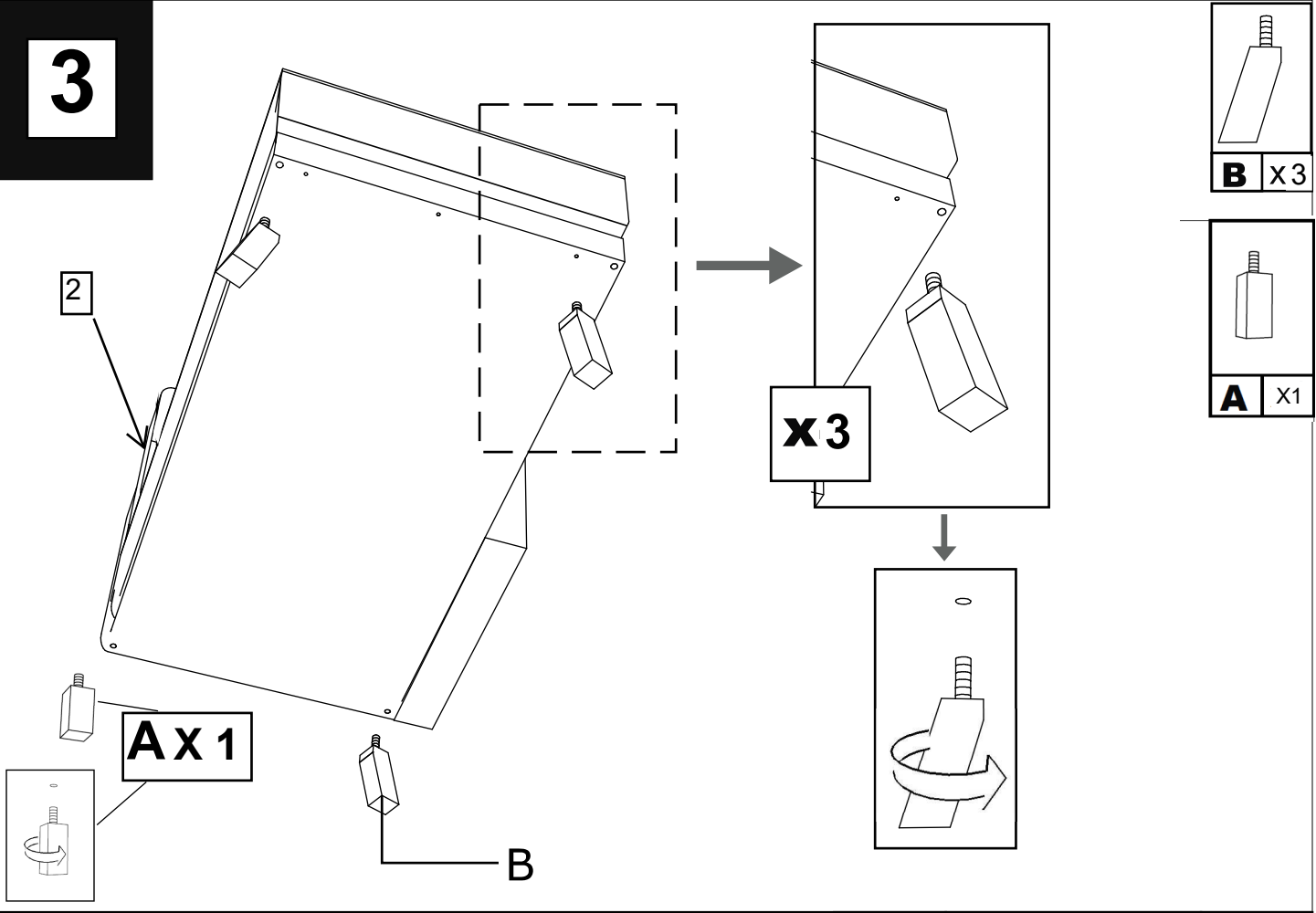
C x1

E x5



x5

3



4

