

NOTICE DE MONTAGE

ASSEMBLING
INSTRUCTIONS
13.06.2020 rev 0

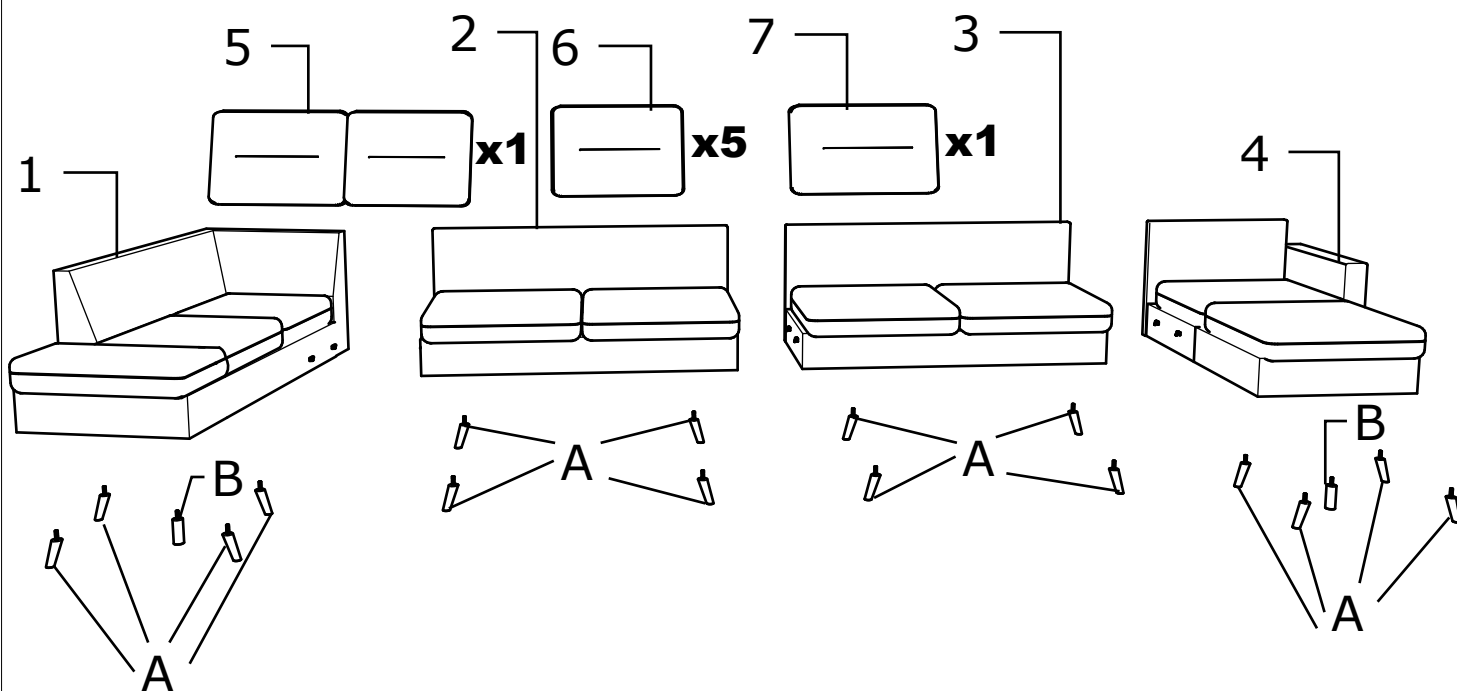
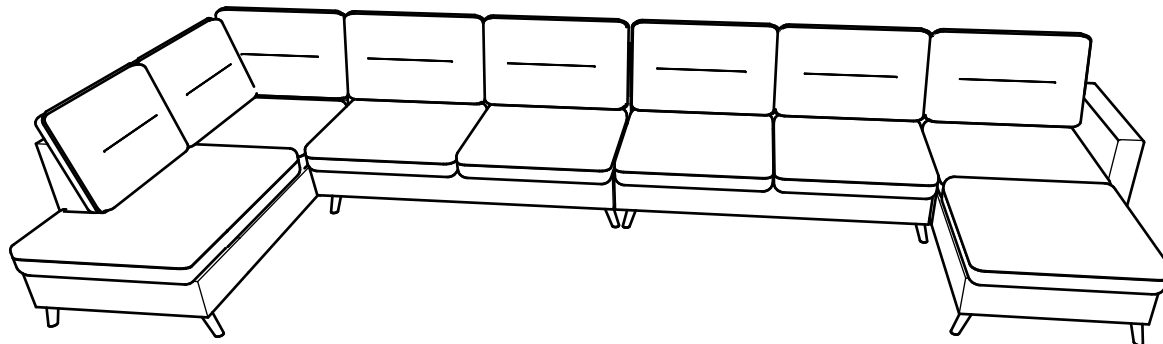
SINKI XXXXL



15 min



x2



A

x16

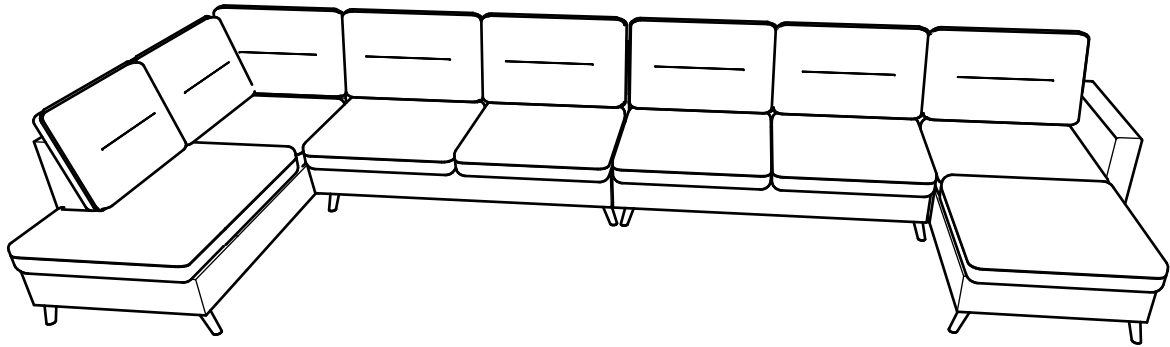
B

x2

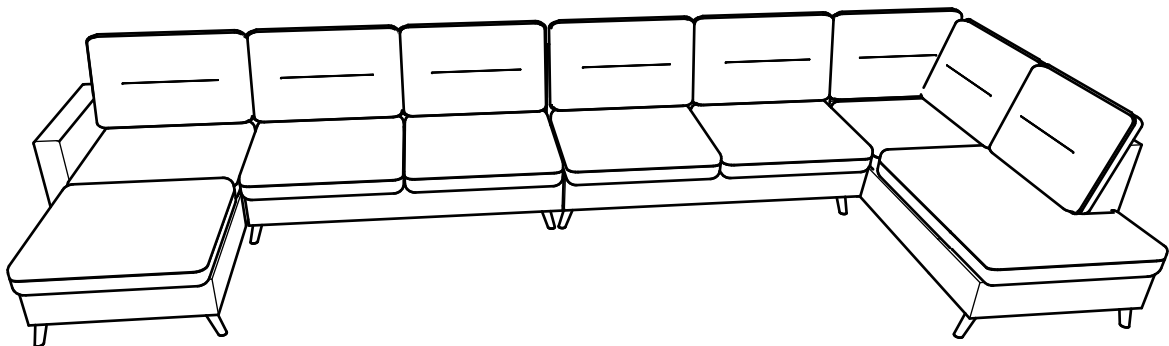


1


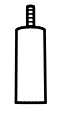
R

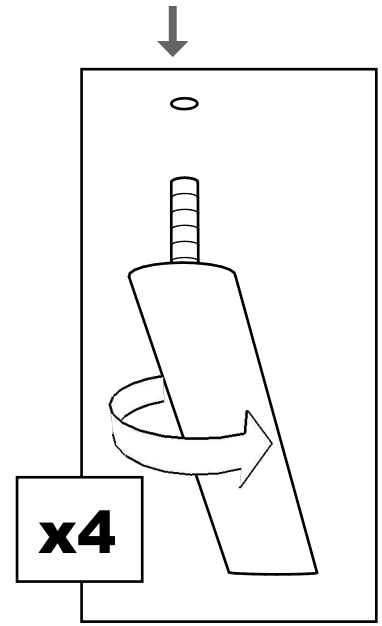
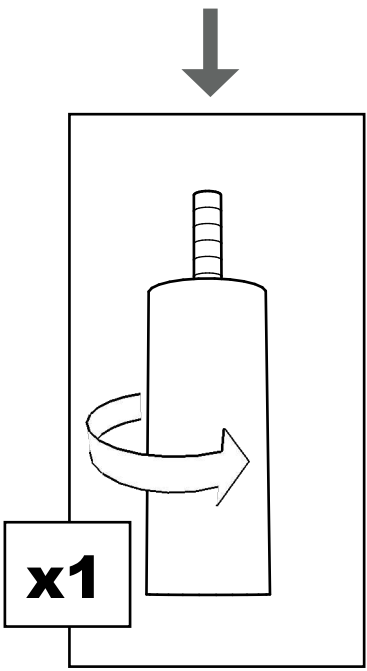
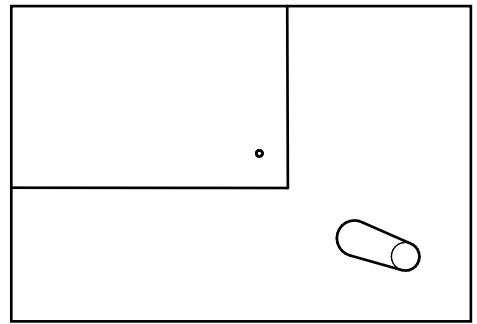
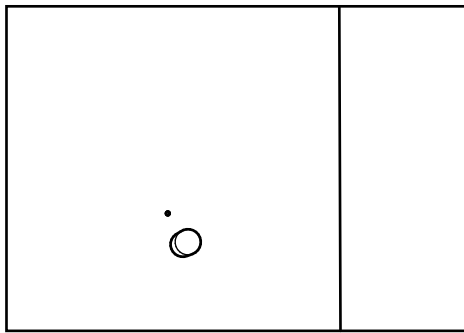
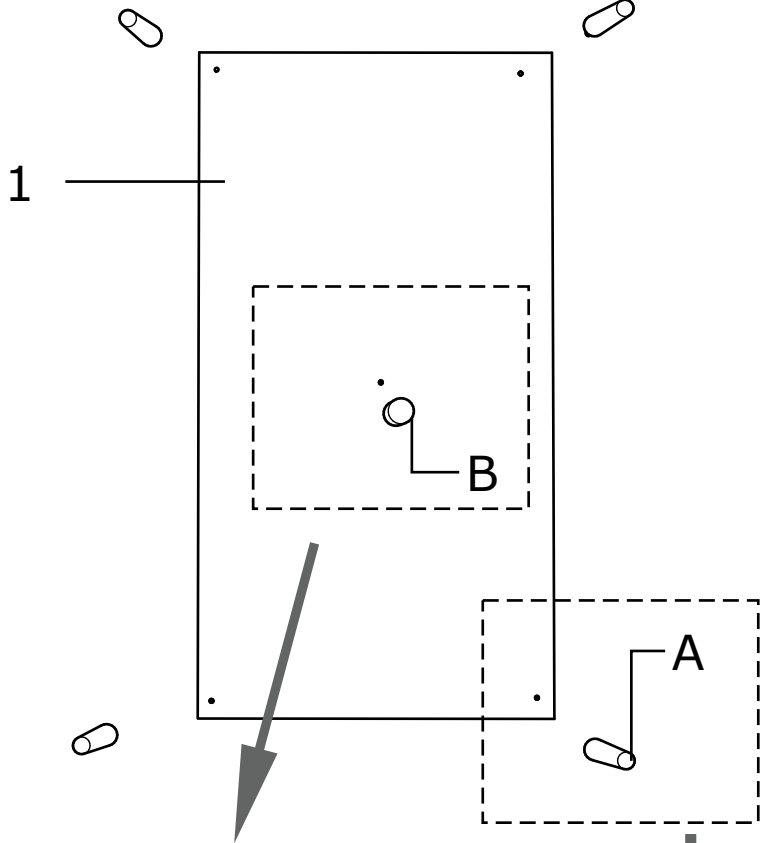


L



2

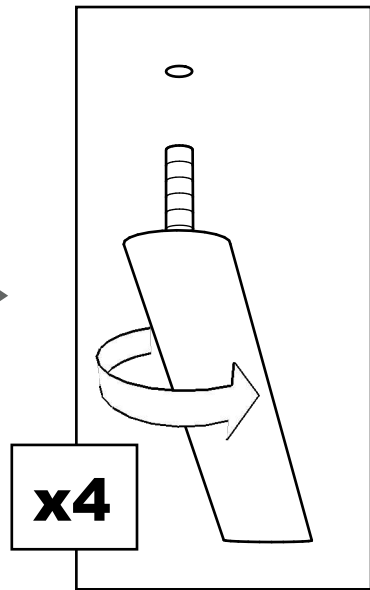
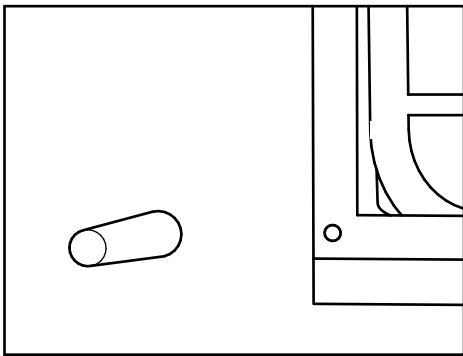
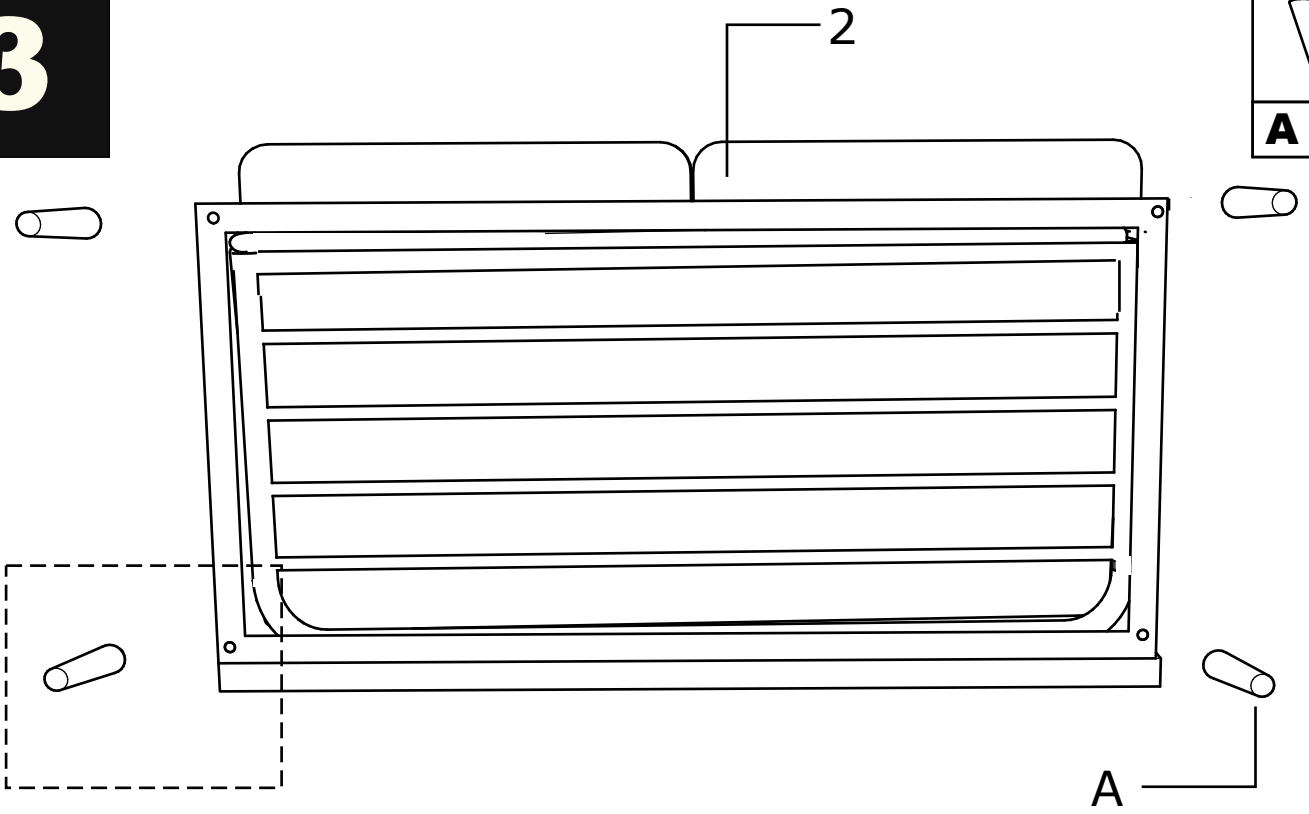
	
A x4	B x1



3



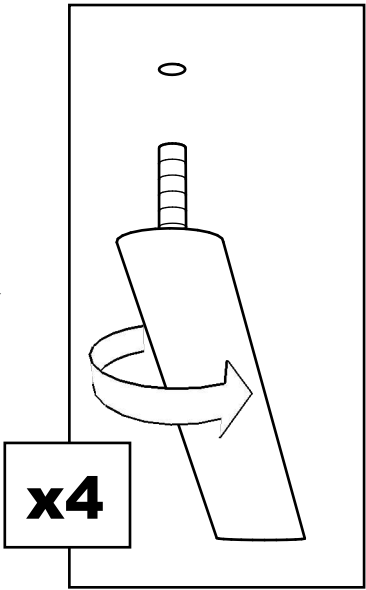
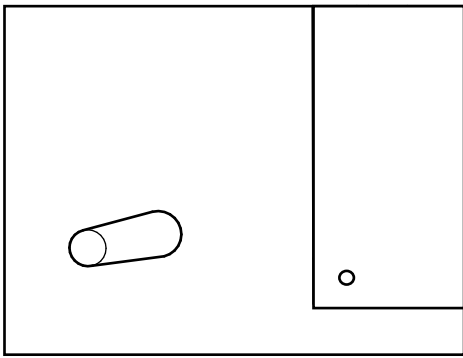
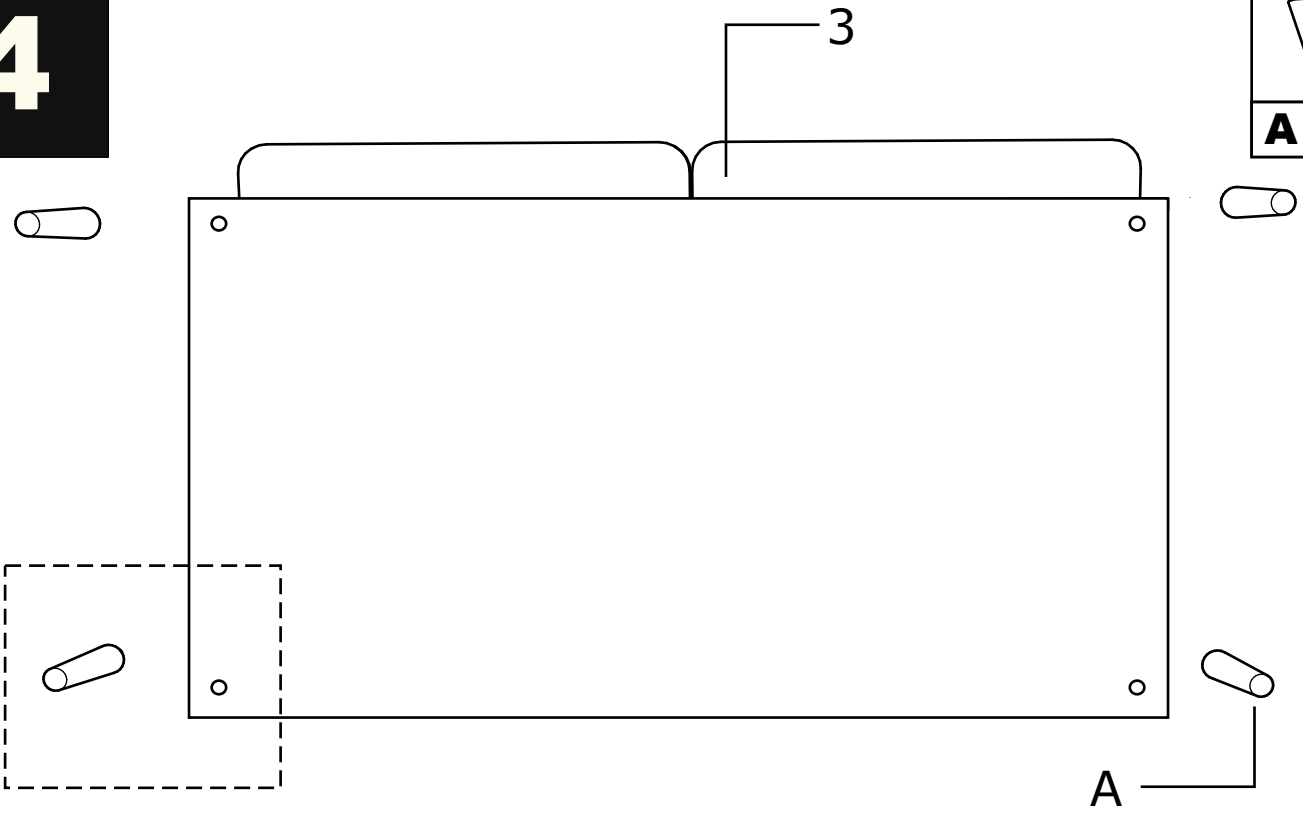
A x4




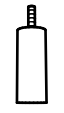
4

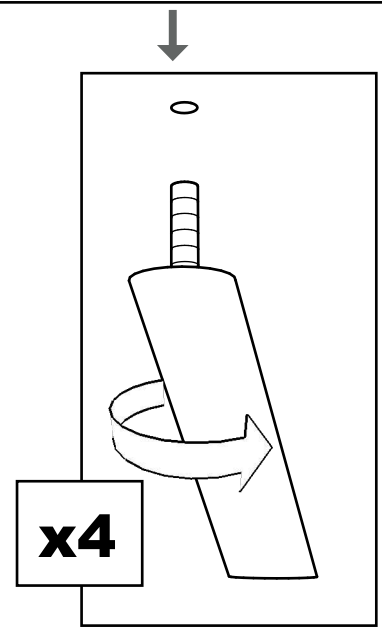
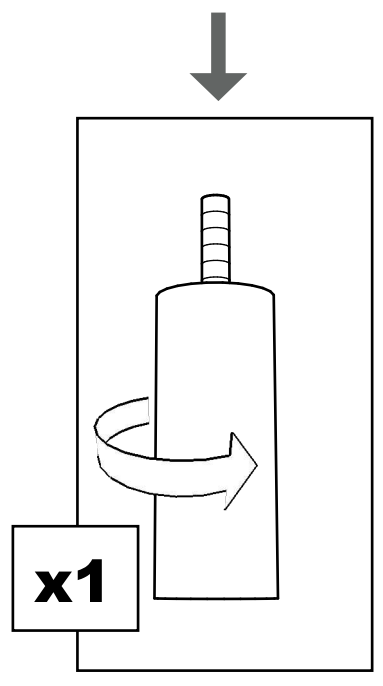
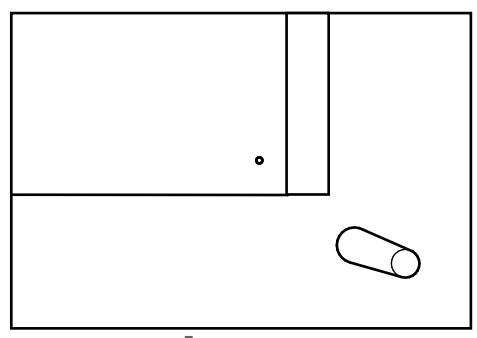
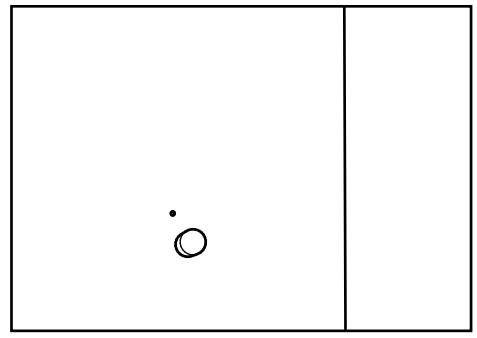
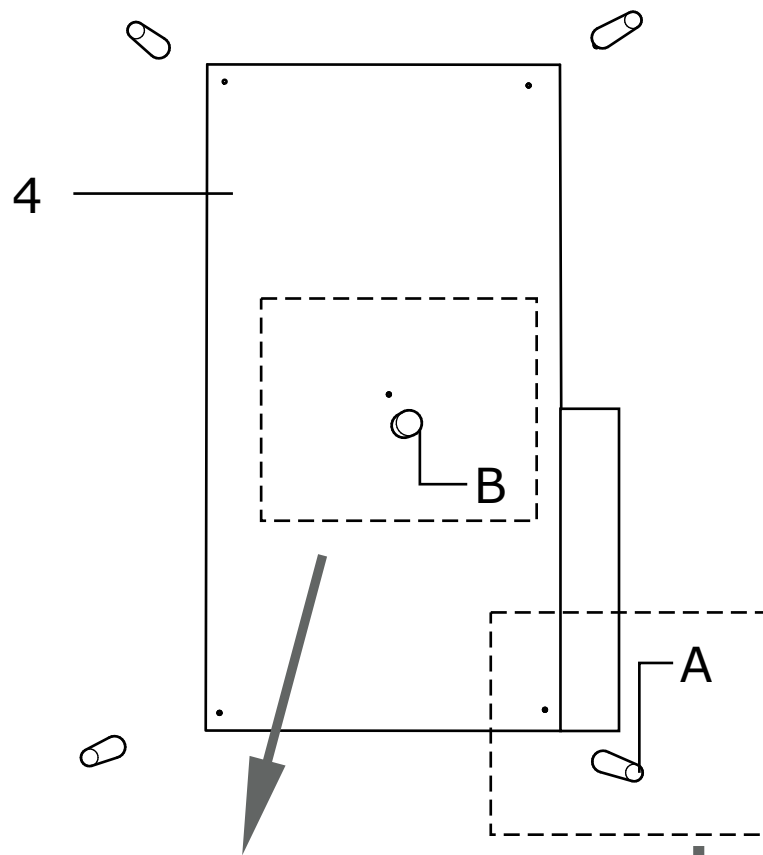


A x4

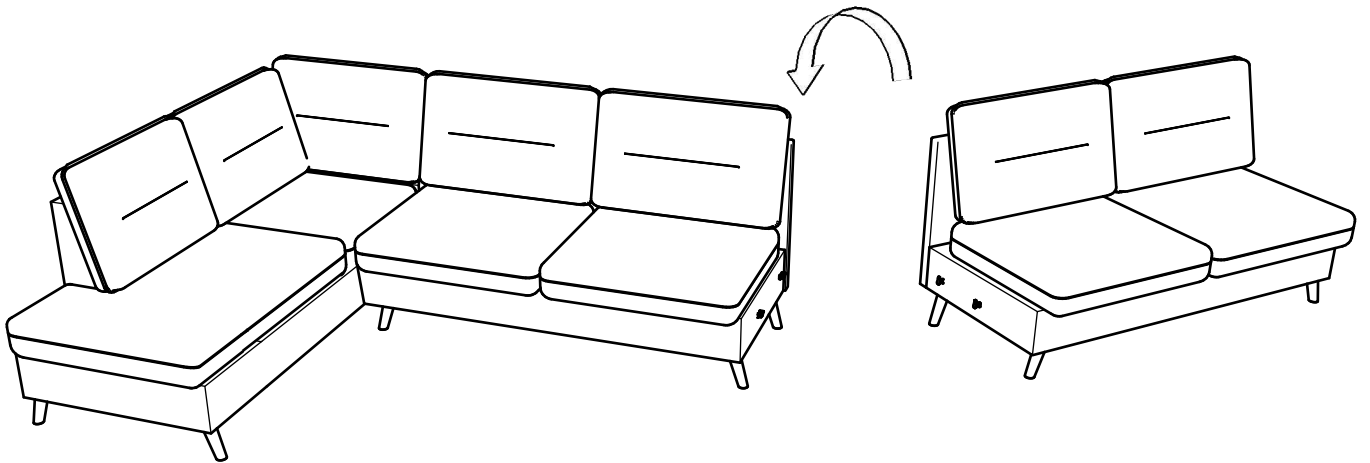
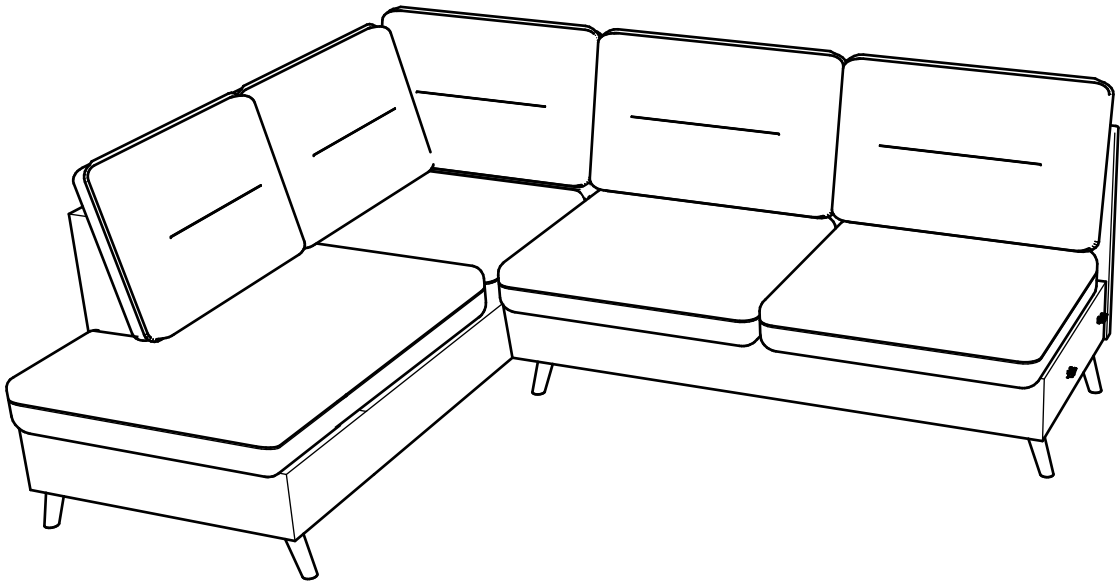
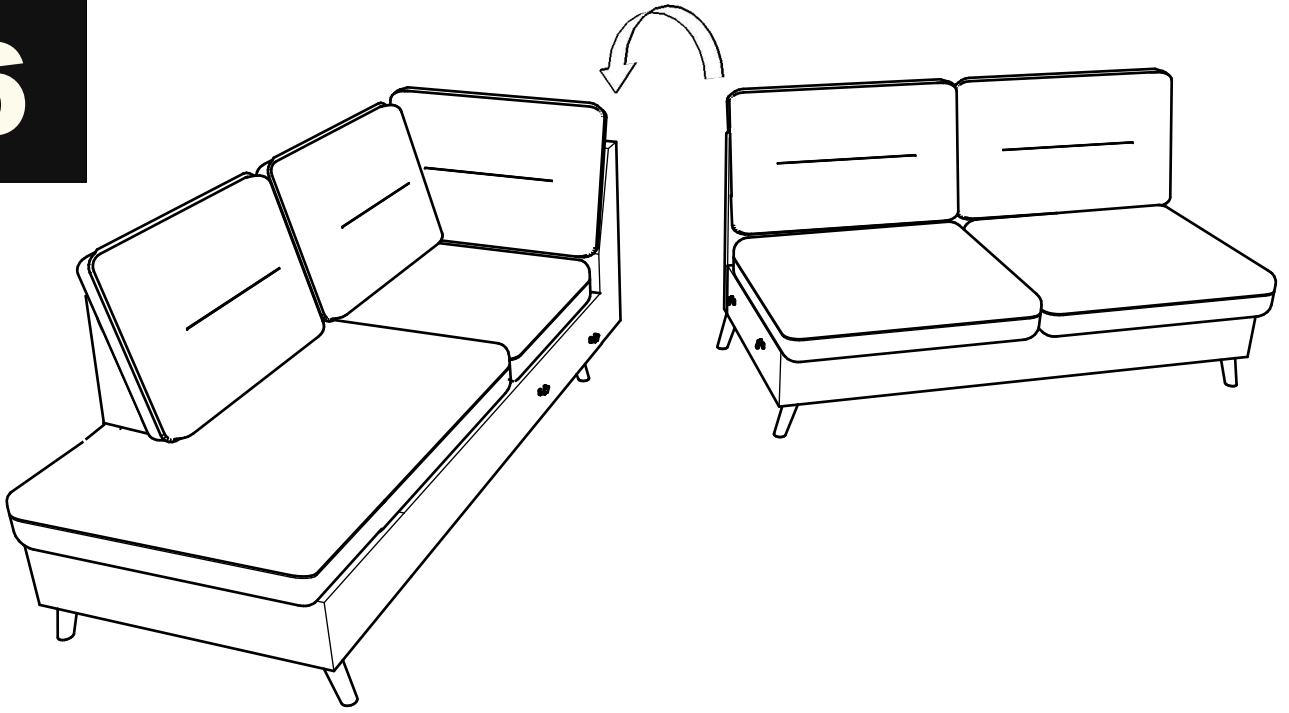


5

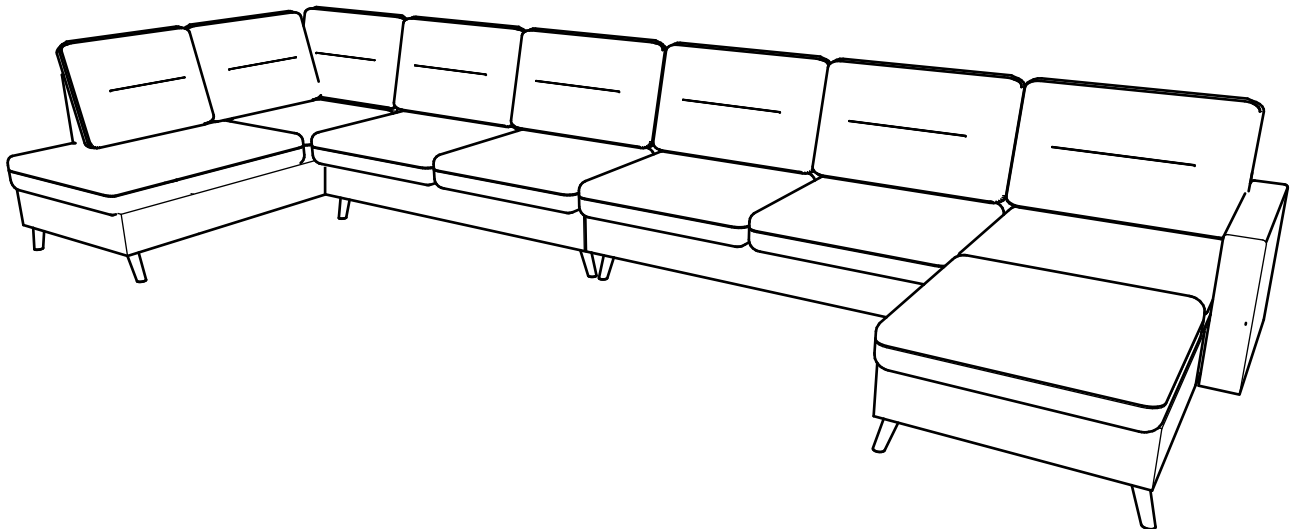
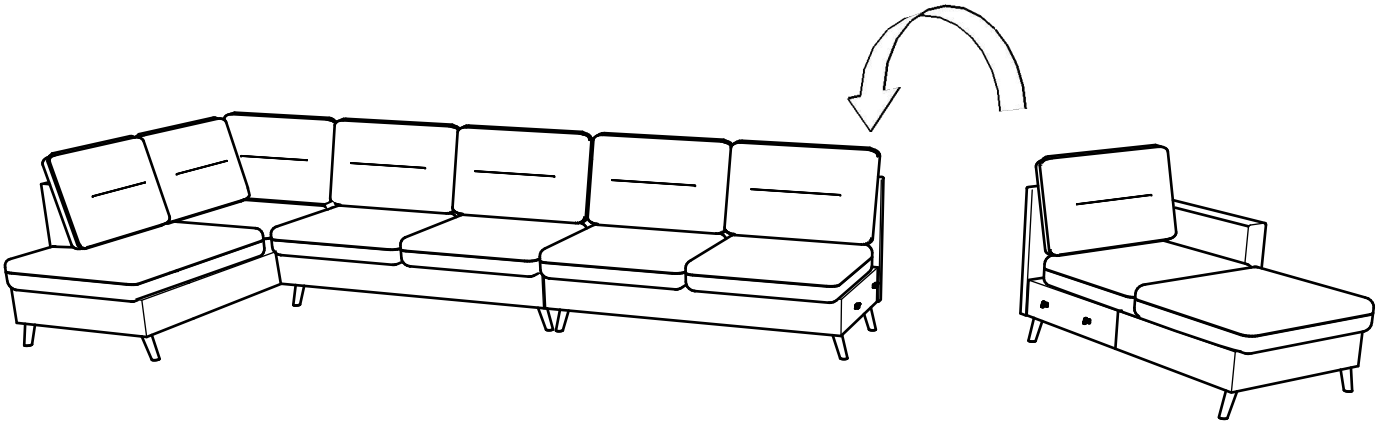
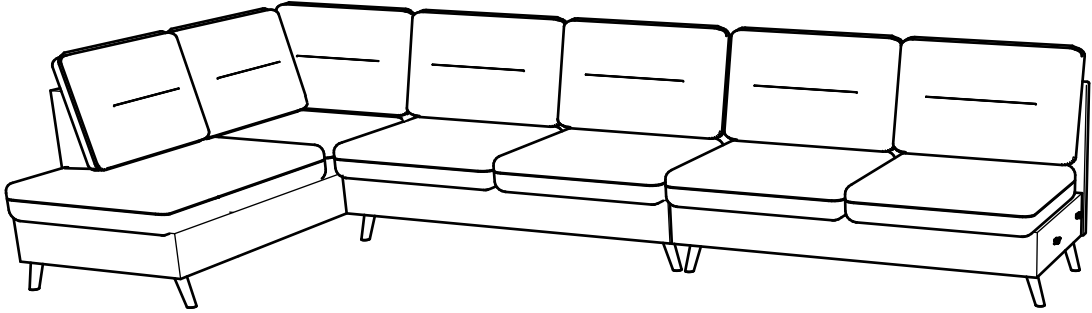
	
A x4	B x1



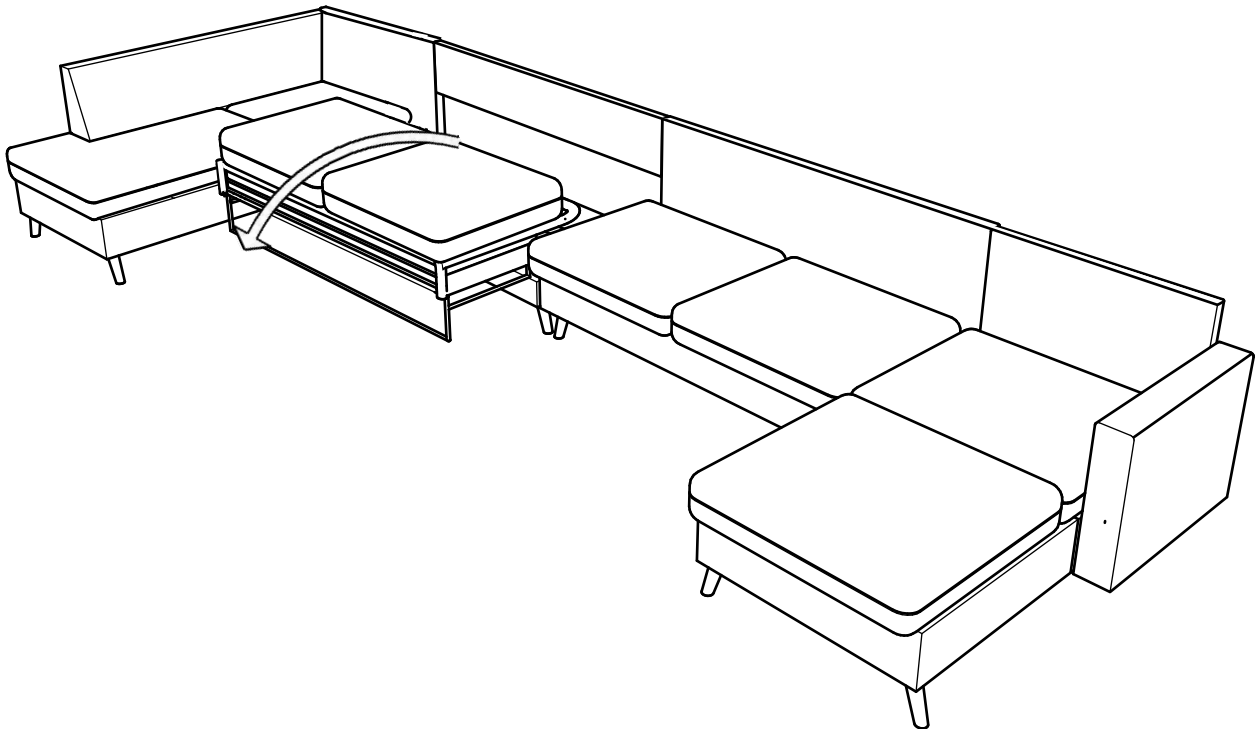
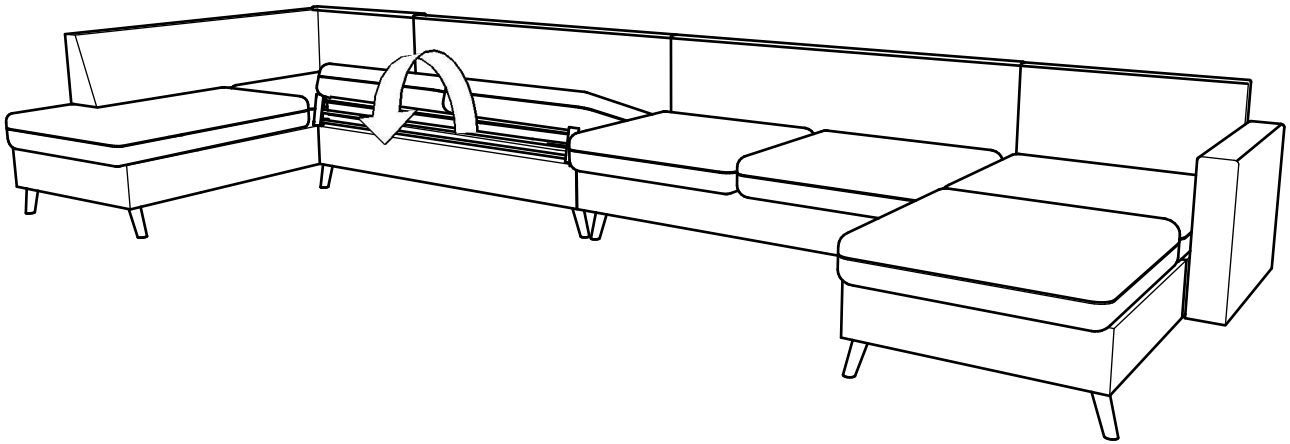
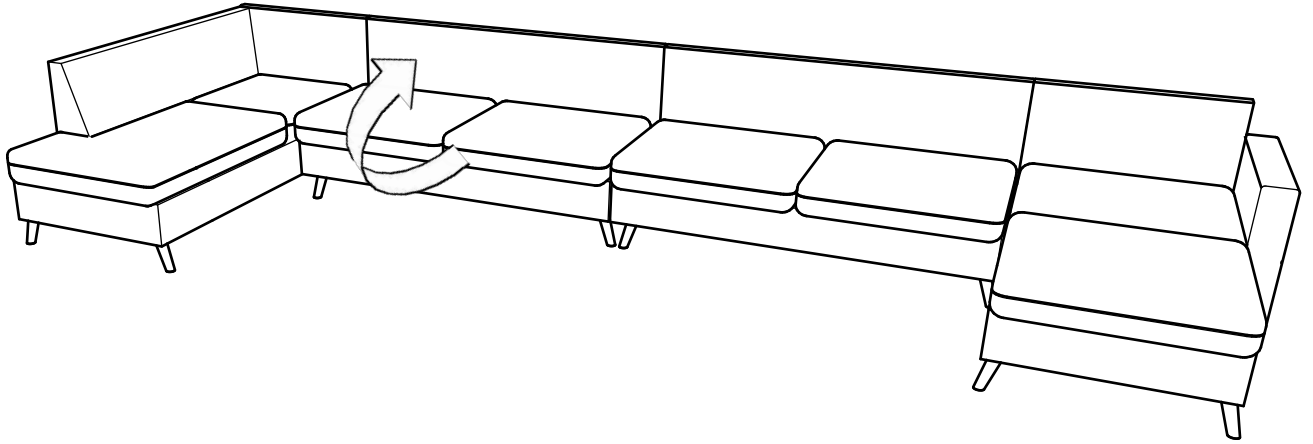
6



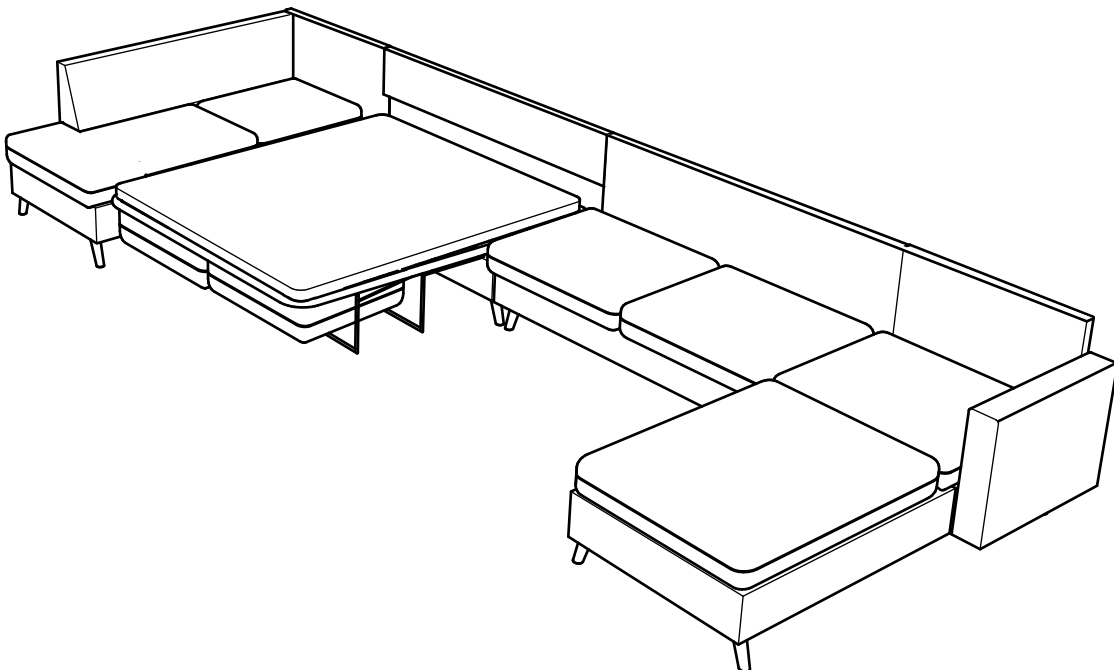
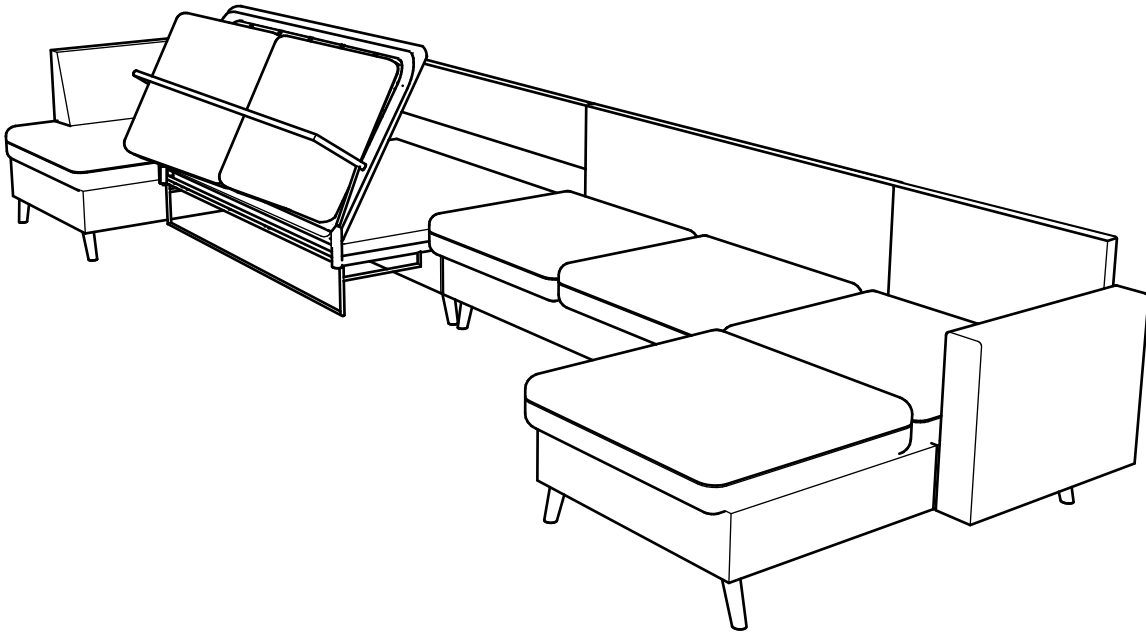
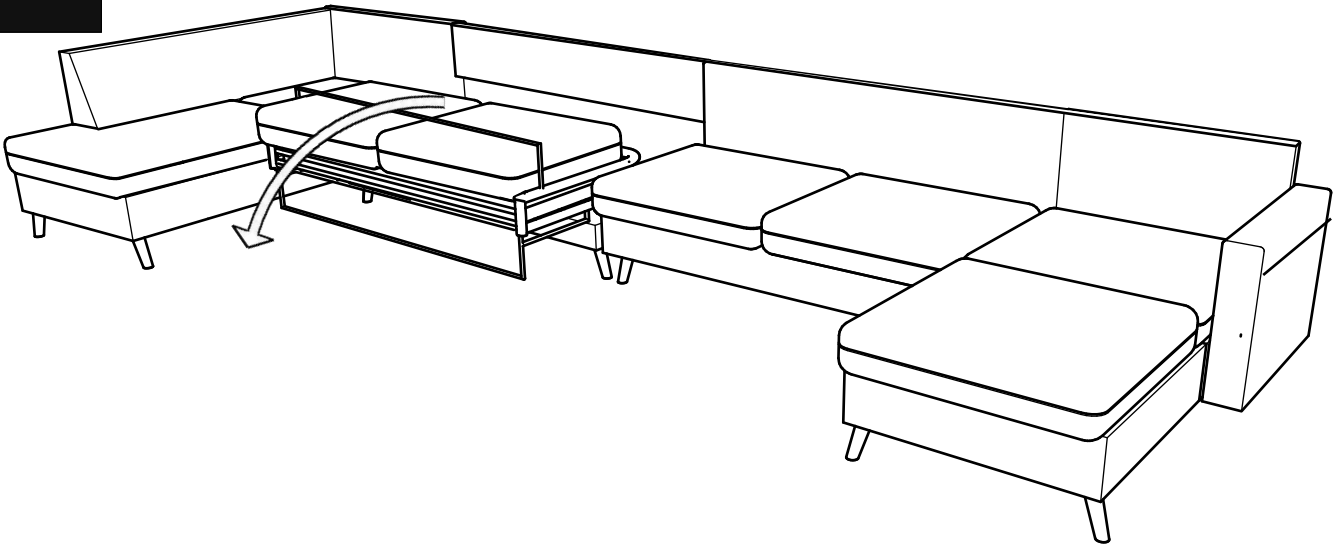
7



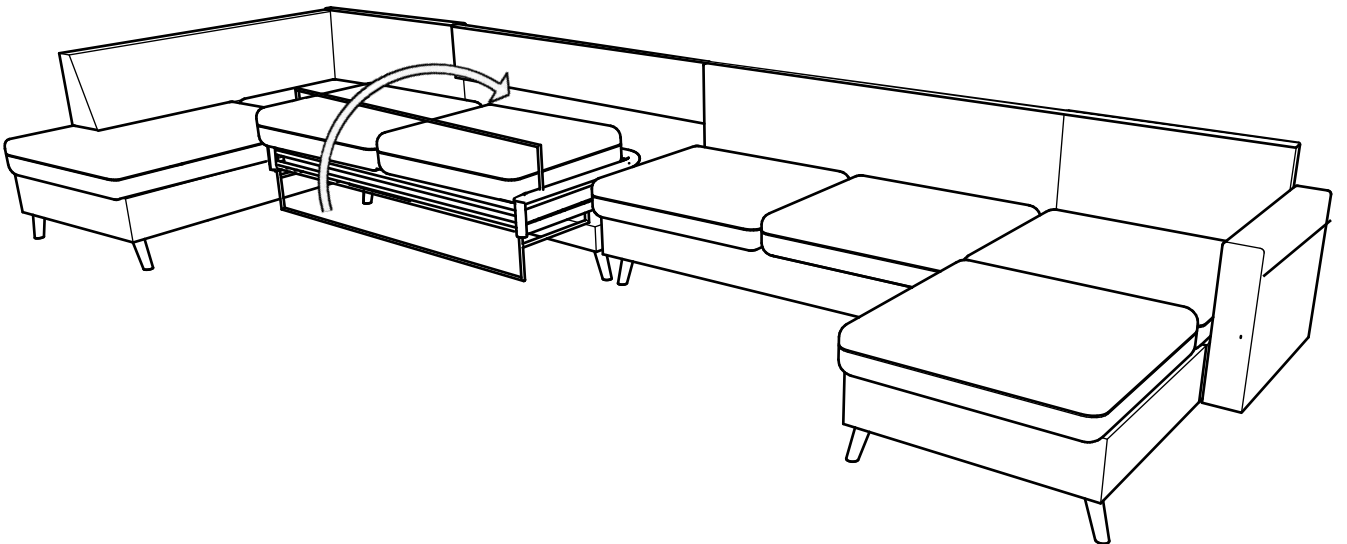
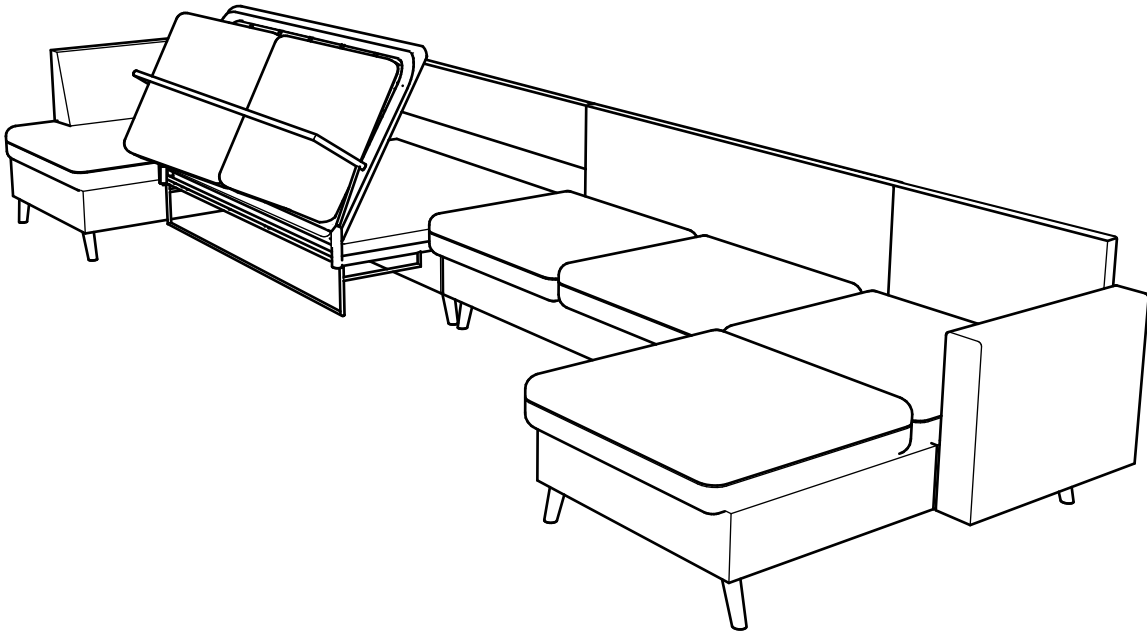
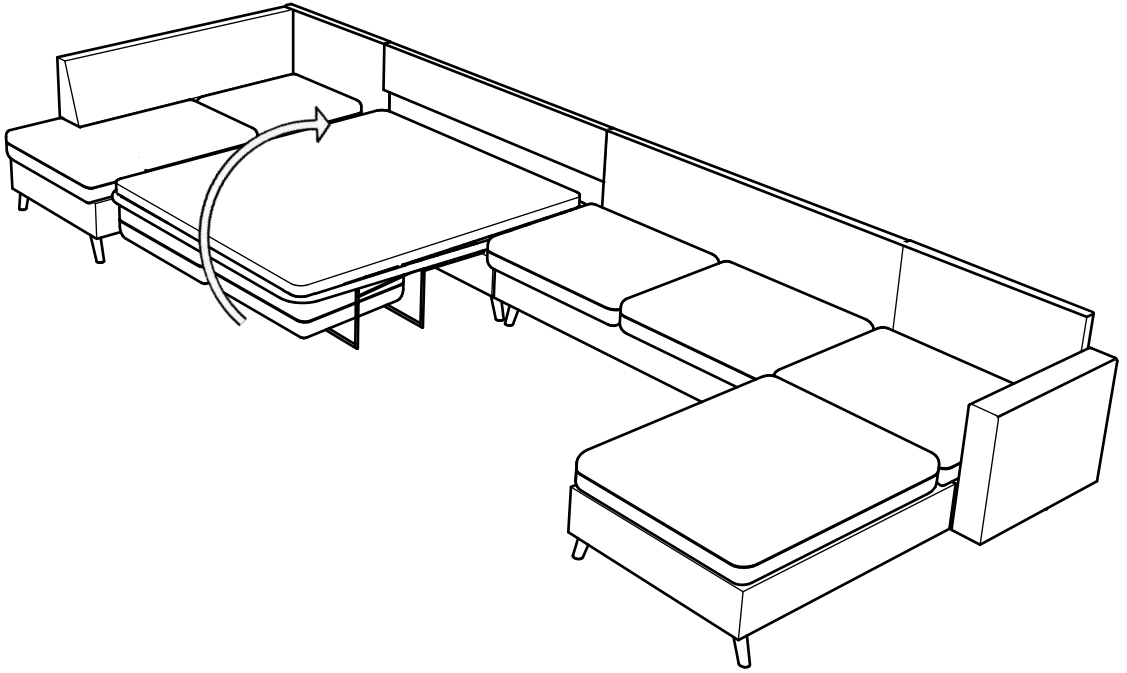
8



9



10



11

