

**NOTICE DE MONTAGE**

ASSEMBLING  
INSTRUCTIONS  
13.06.2020 rev 0

**MIA 3 PLACES**



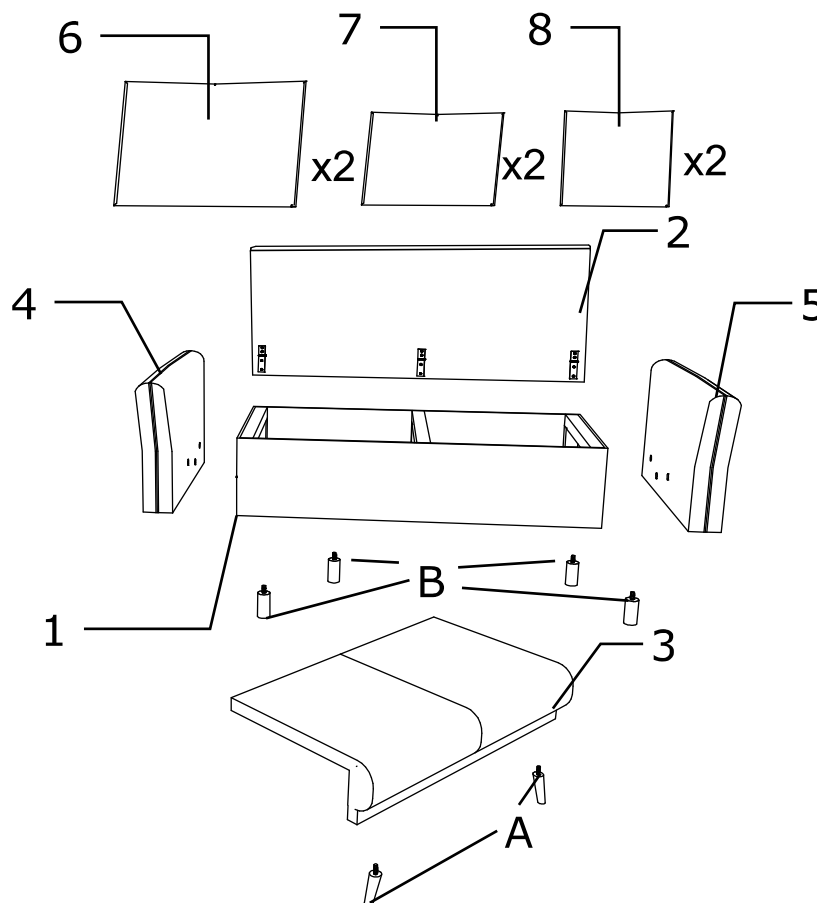
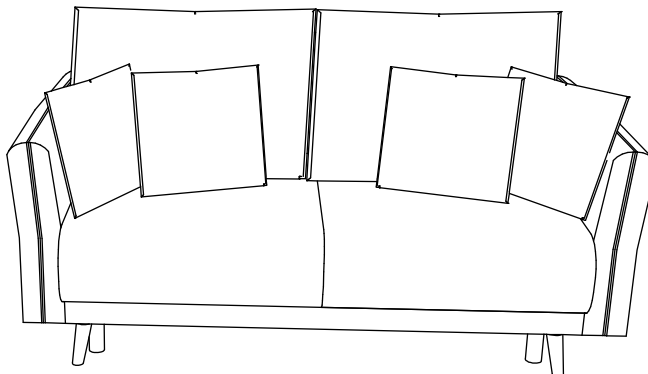
30 min



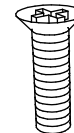
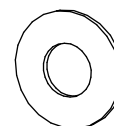
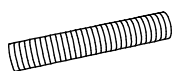
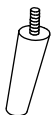
x1



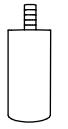
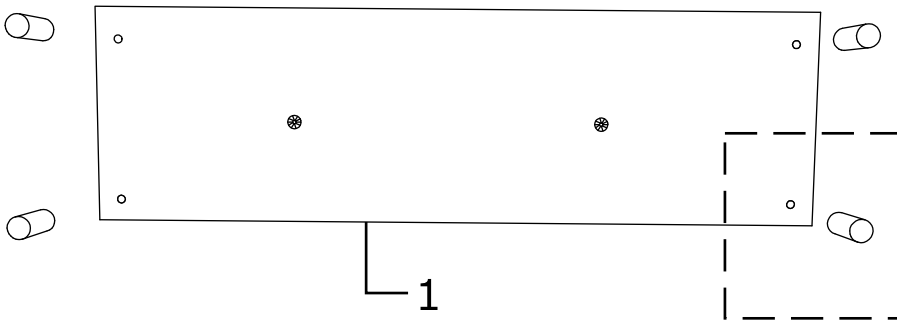
x2



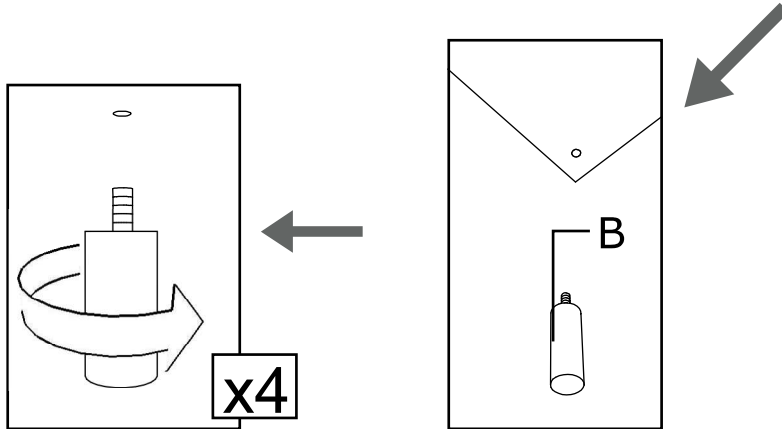
**A** x2    **B** x4    **C** x6    **D** x6    **E** x6    **F** x6



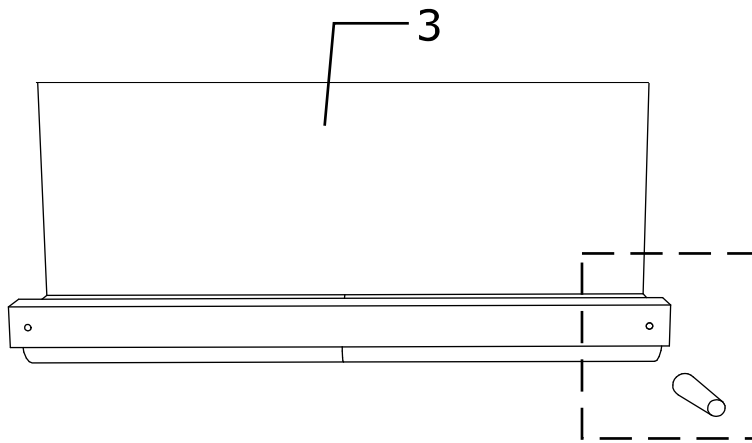
# 1



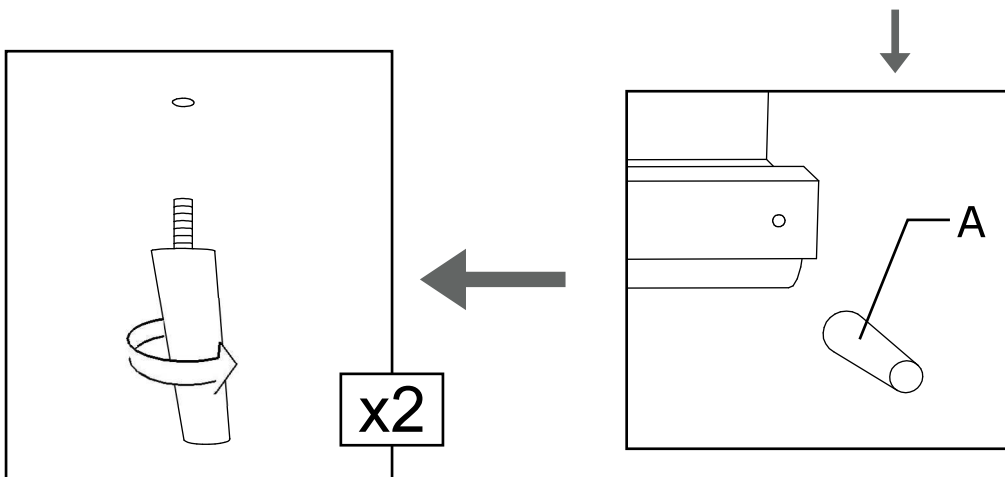
**B** x4



**x4**

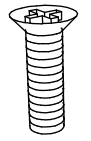
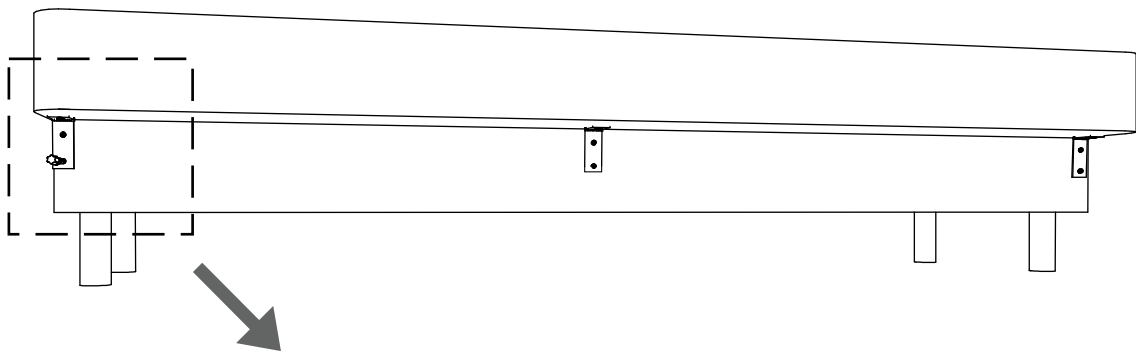
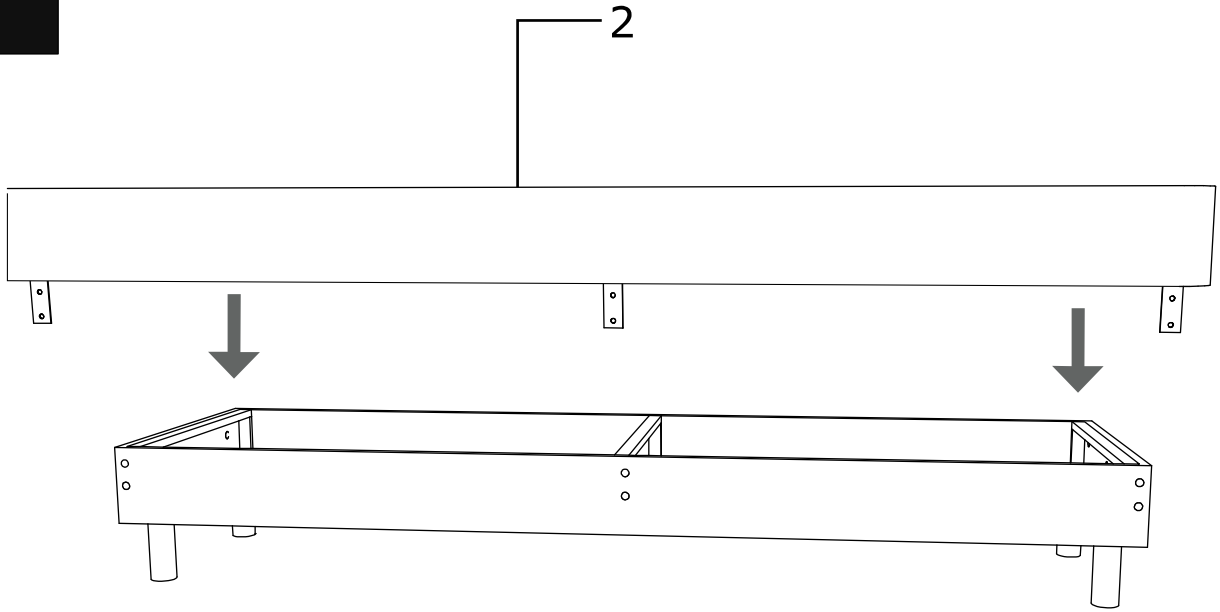


**A** x2

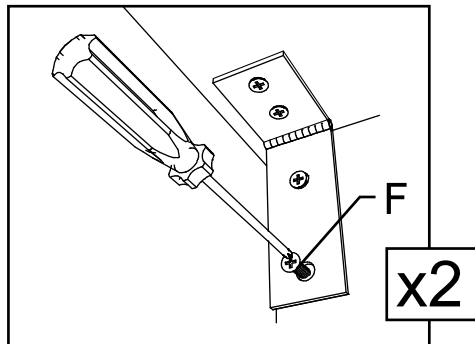


**x2**

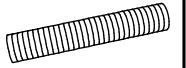
2



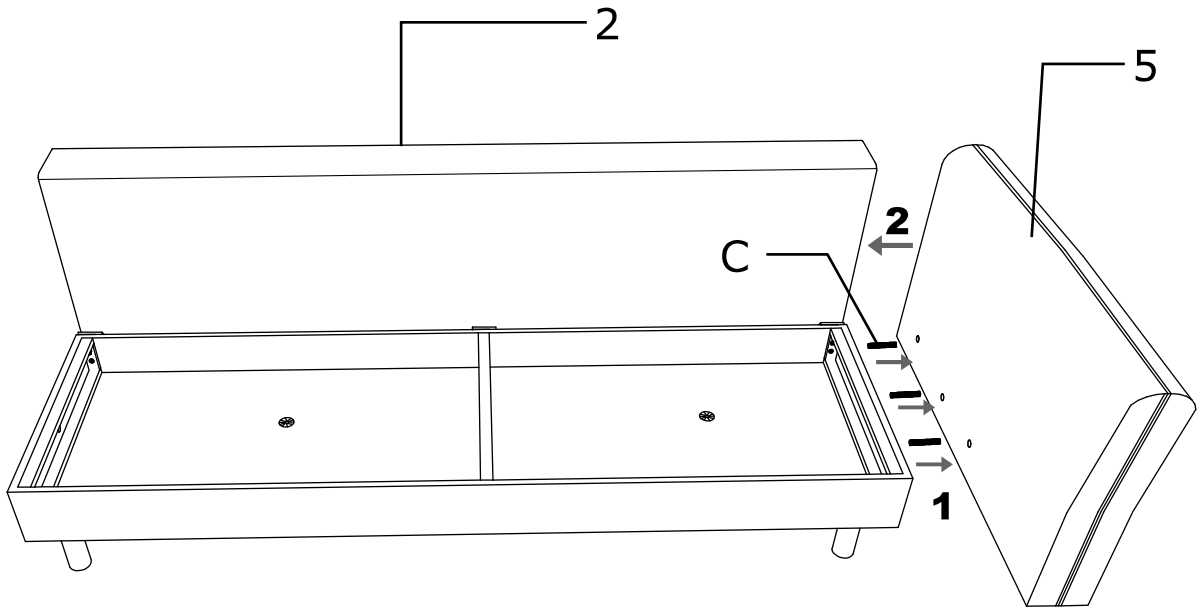
F x6



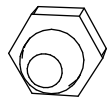
**3**



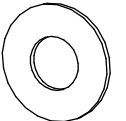
**C** x3



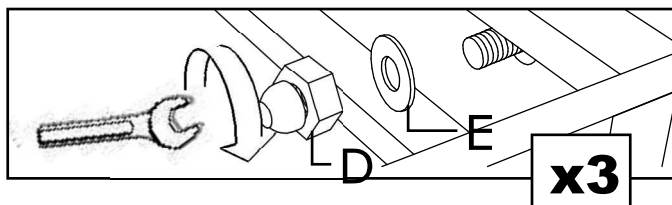
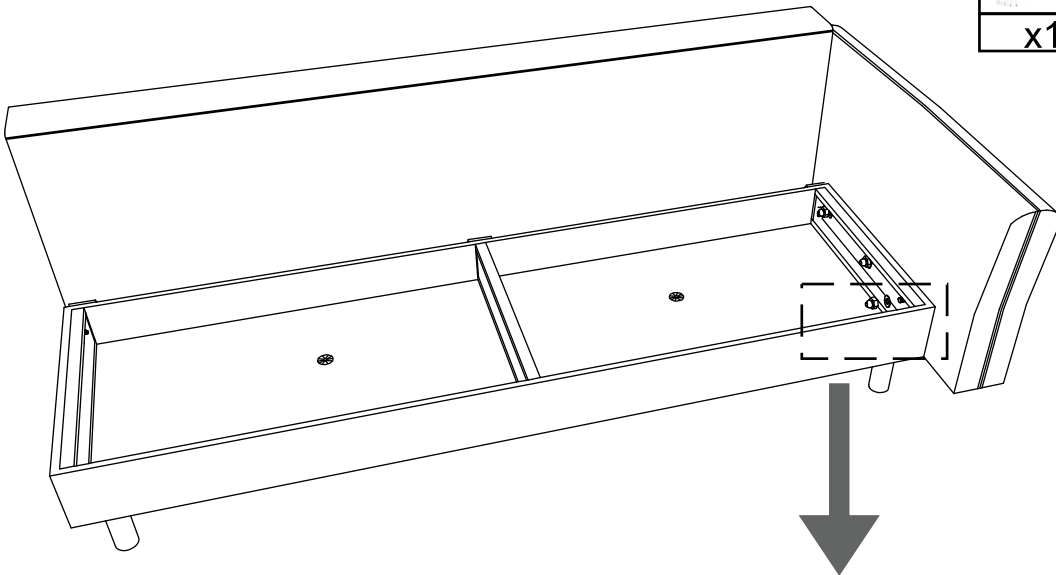
x1



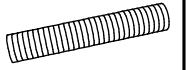
**D** x3



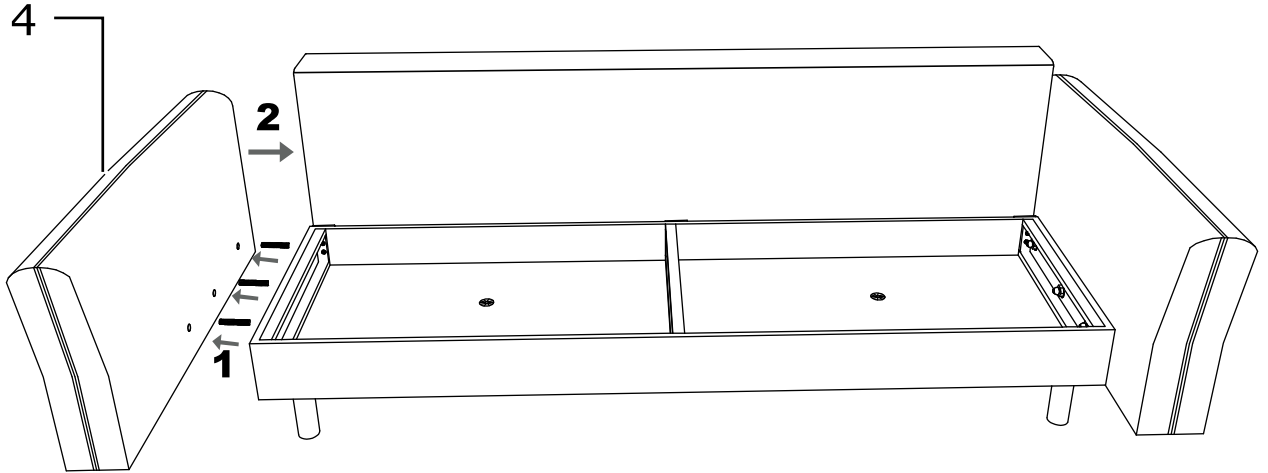
**E** x3



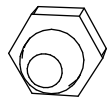
# 4



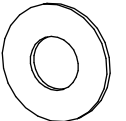
**C** x3



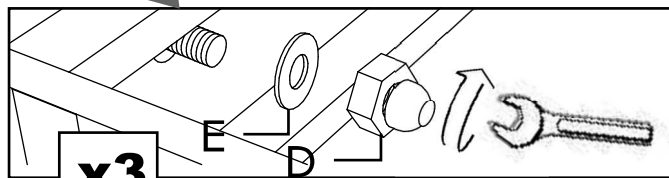
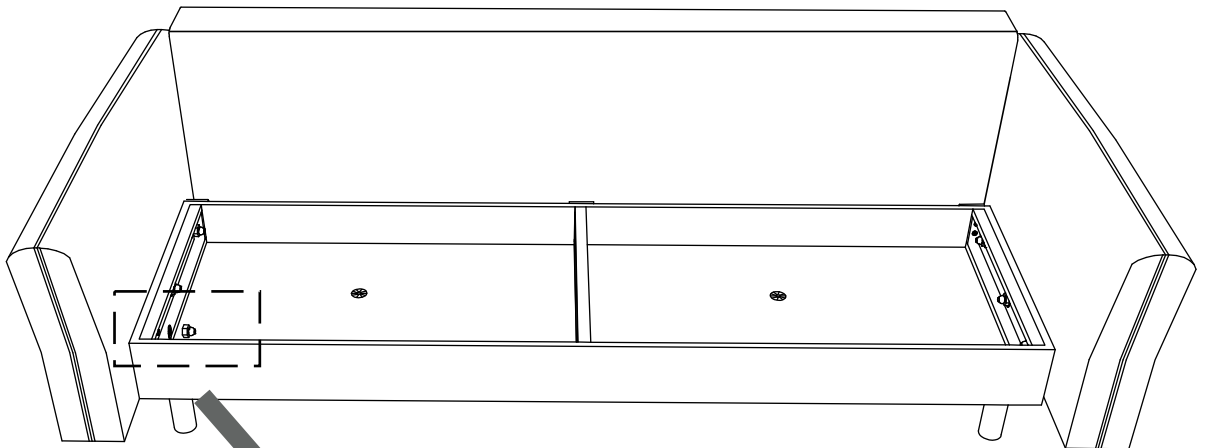
x1



**D** x3

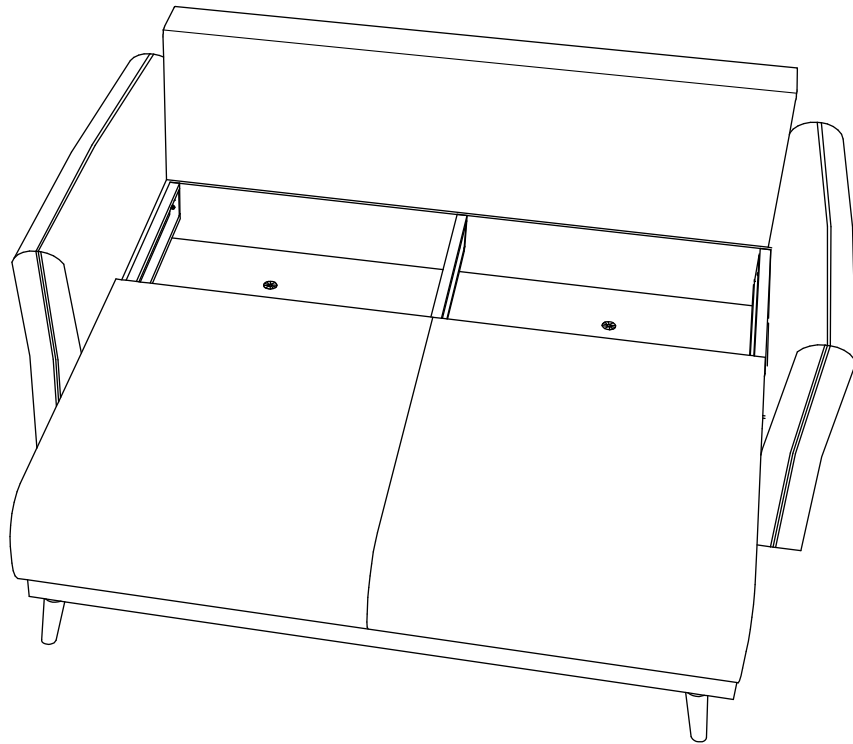
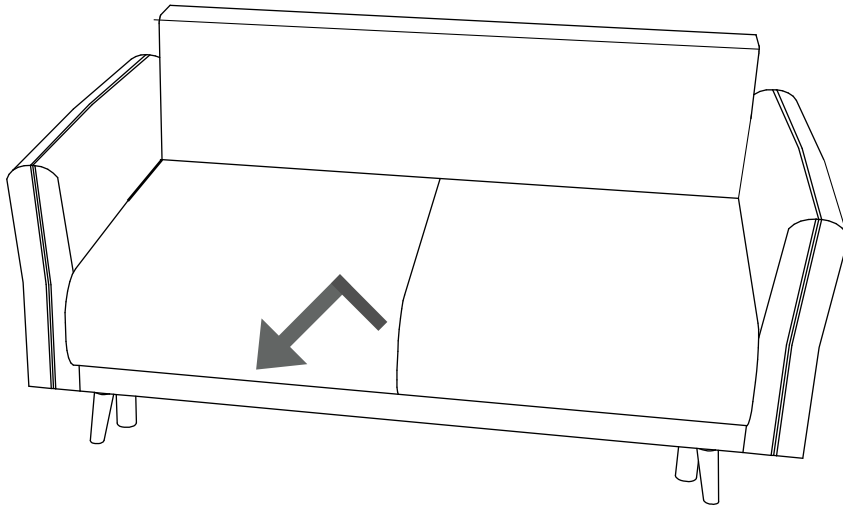


**E** x3



**x3**

5



6

