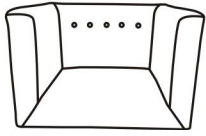


Assembly Instruction



Ax1



Bx2



Cx8

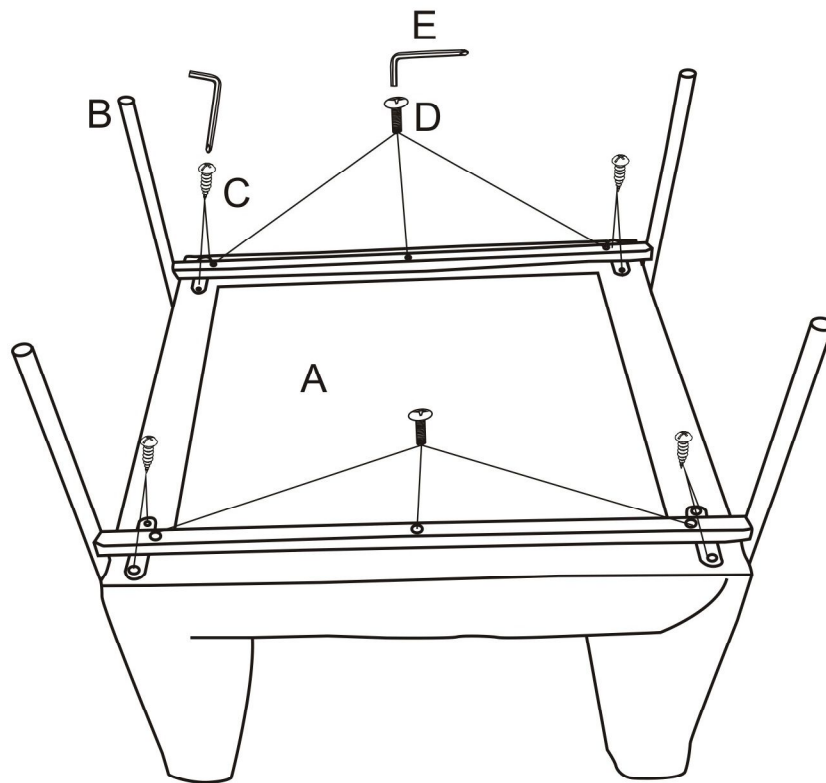


Dx6



Ex1

1



2

