

**NOTICE DE MONTAGE**

ASSEMBLING  
INSTRUCTIONS  
02.09.2021 rev 0

# ENVY

## 3 PLACES



x1



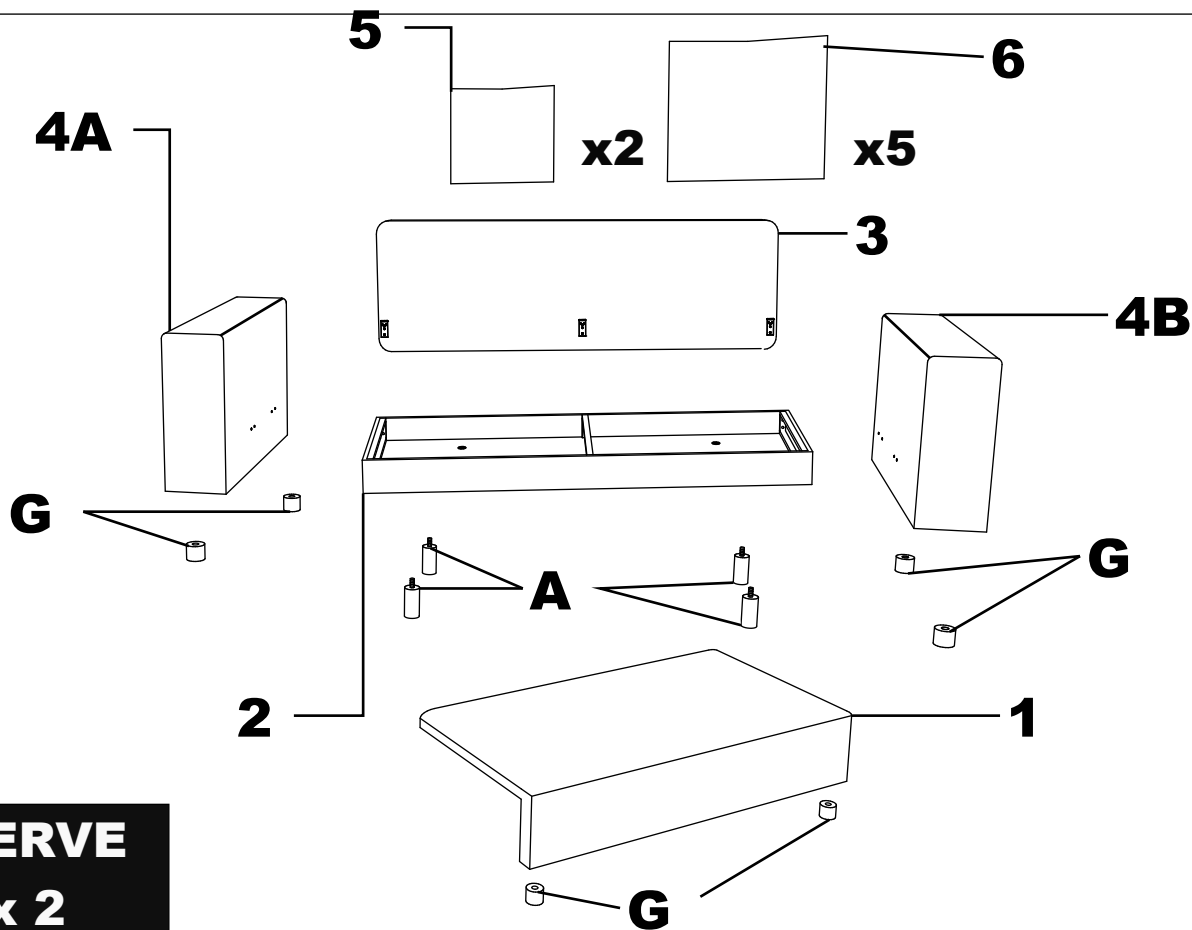
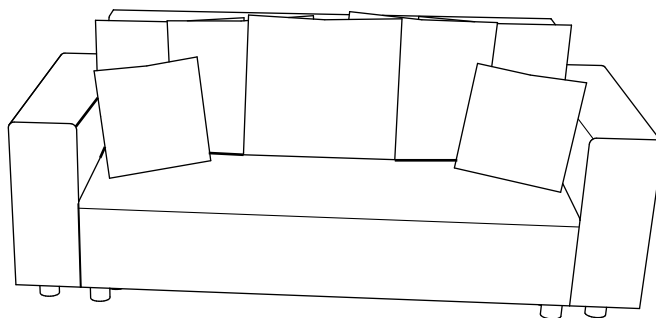
x1



30 min

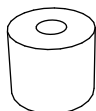


x2



**RESERVE**

x 2



**A** x4



**B** x6



**C** x6



**D** x4



**E** x4



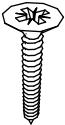
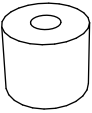
**F** x4

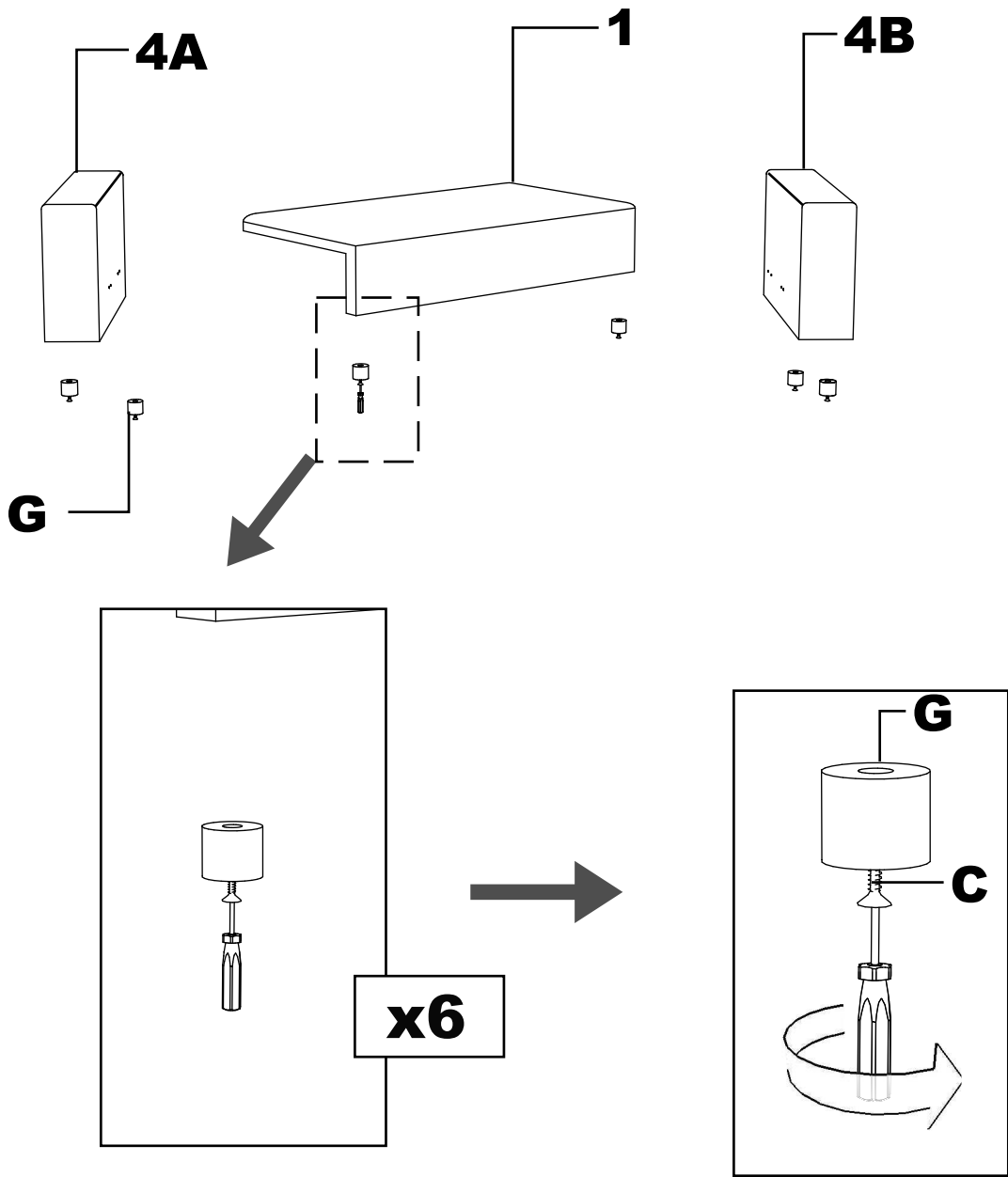


**G** x6

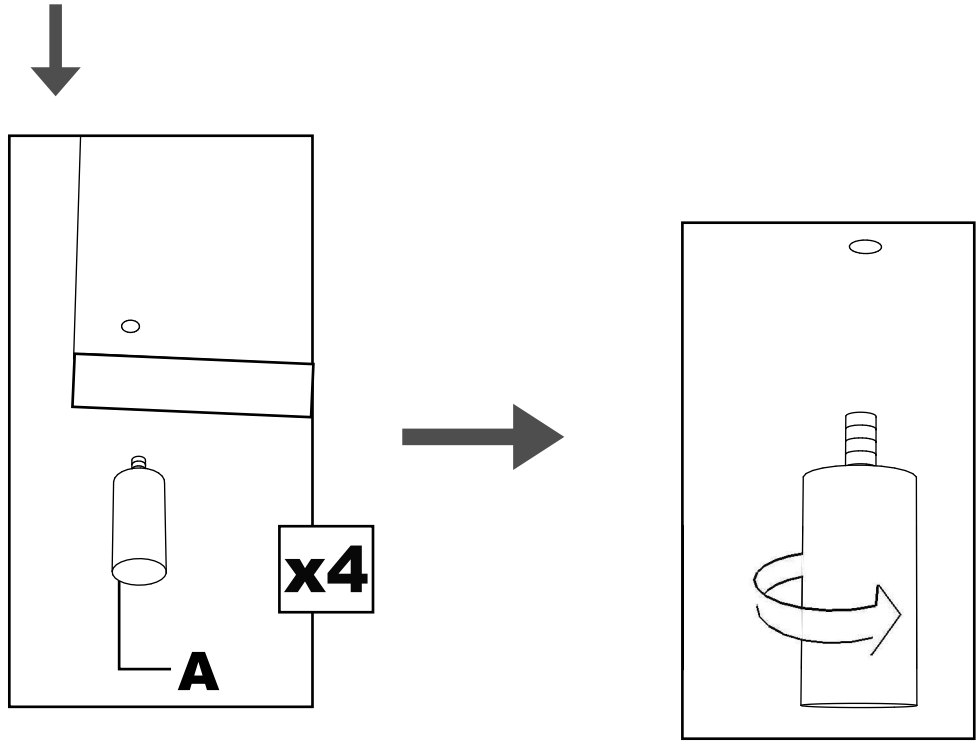
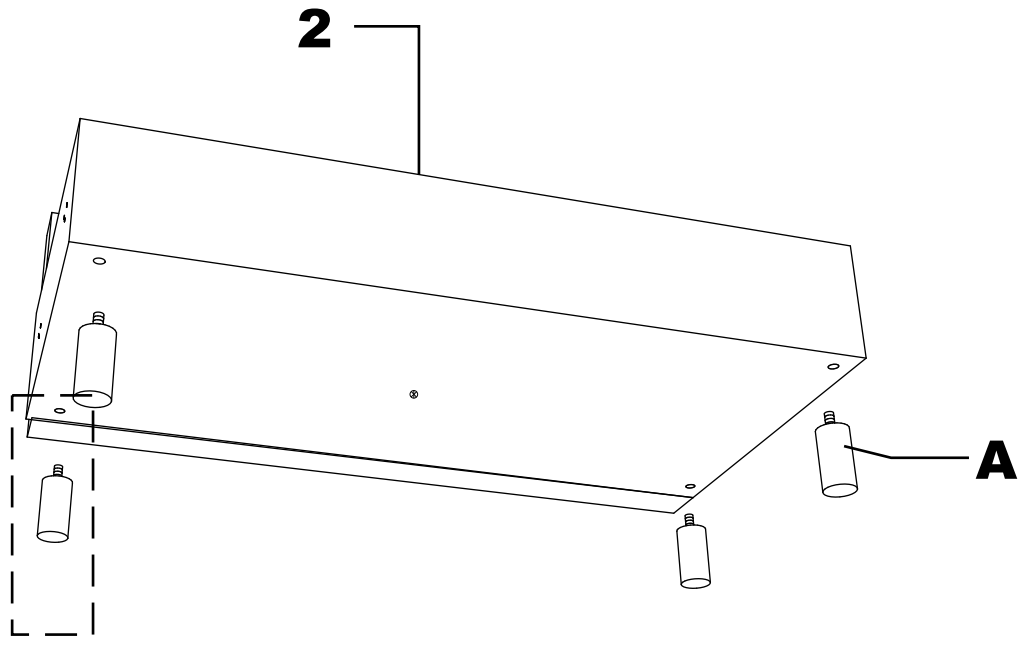
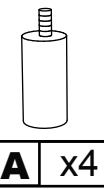


# 1

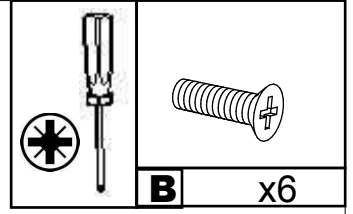
	
<b>C</b> x6	<b>G</b> x6



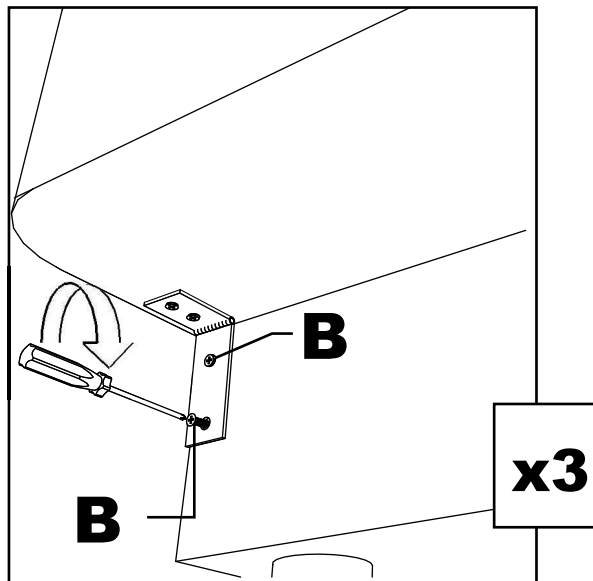
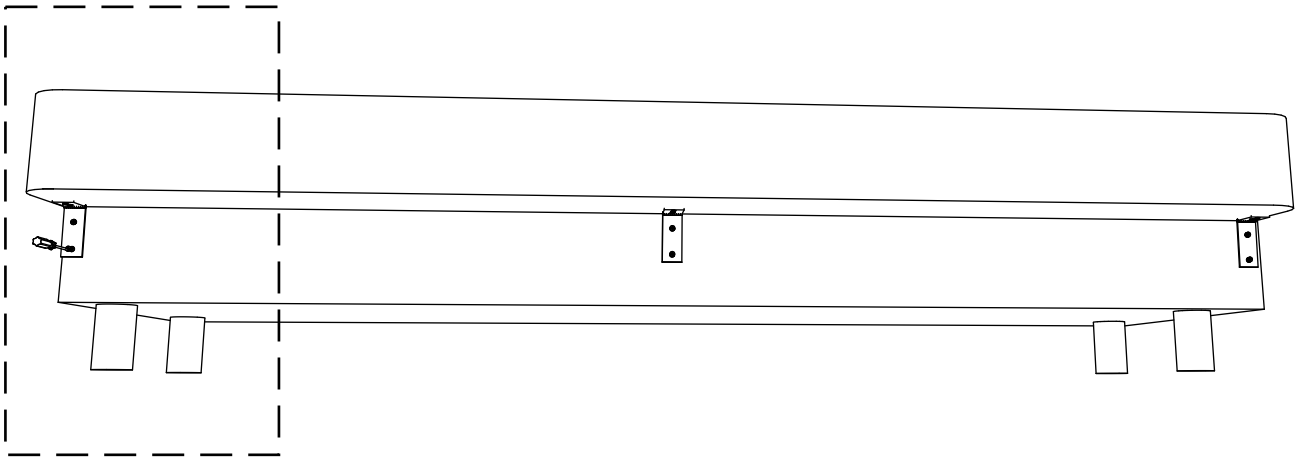
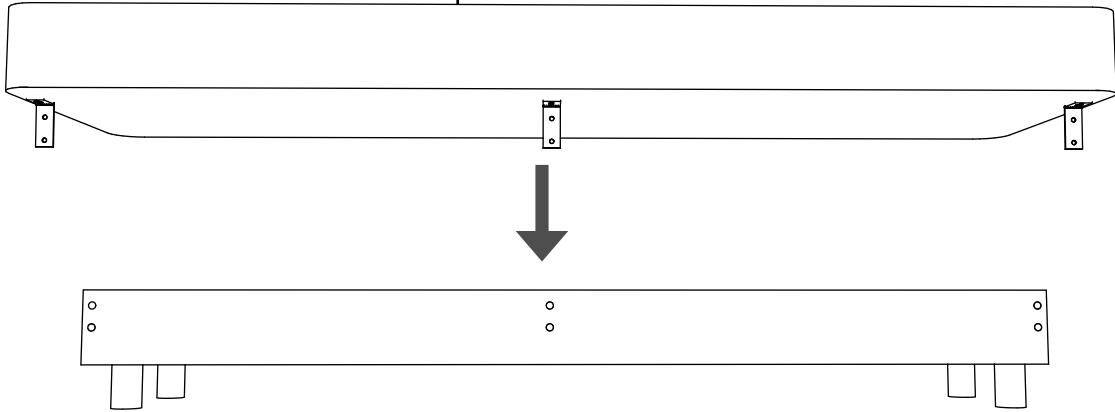
**2**



**3**



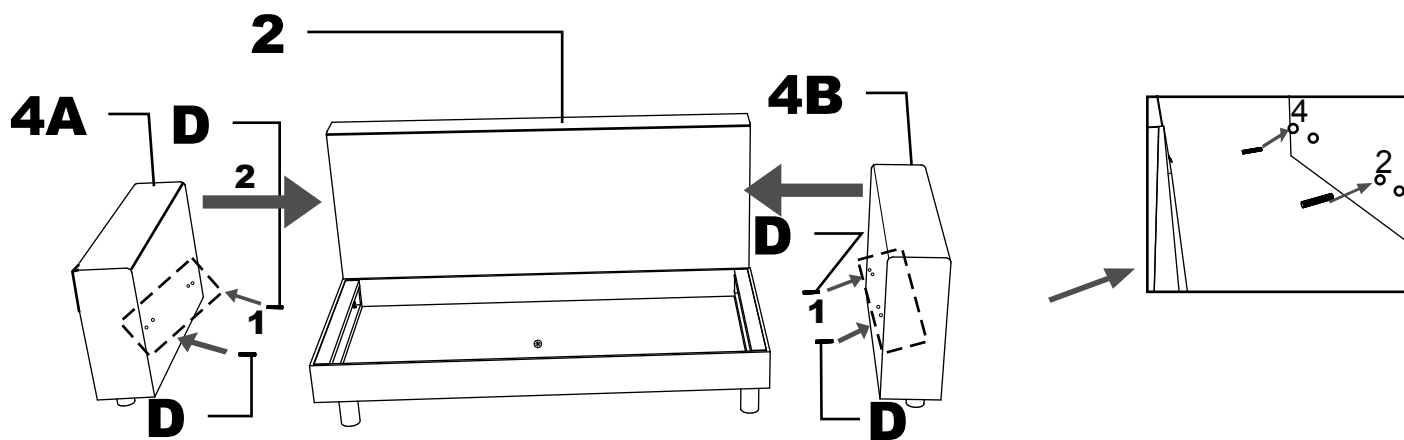
**3**



# 5

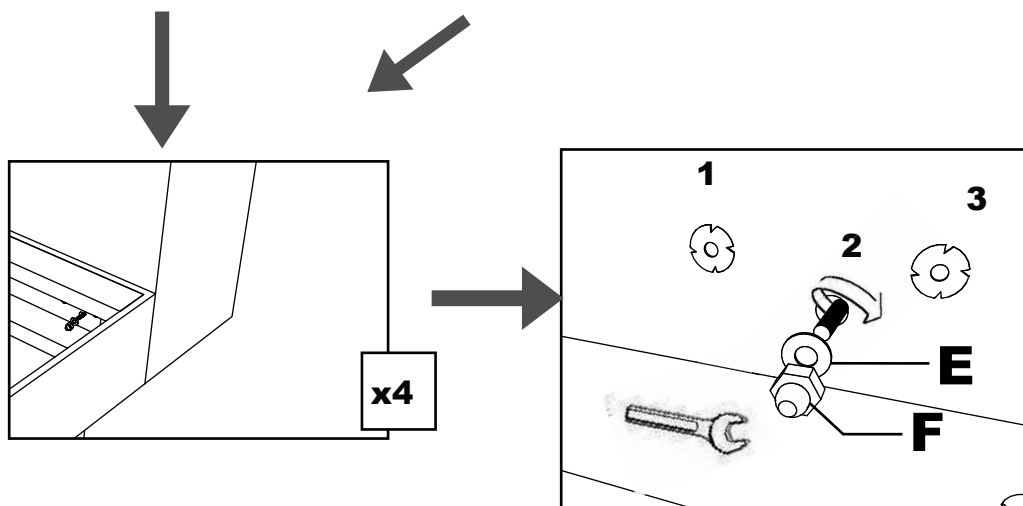
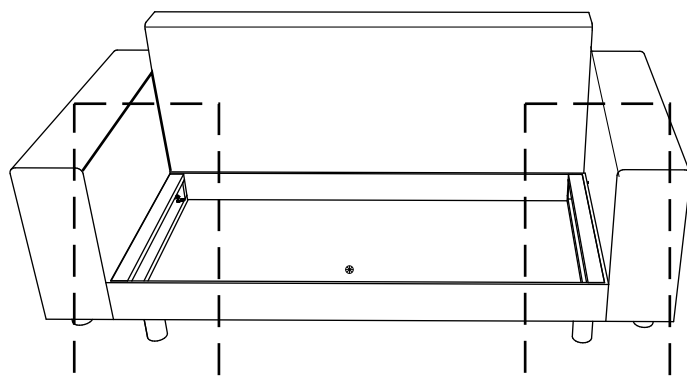


**D** x4

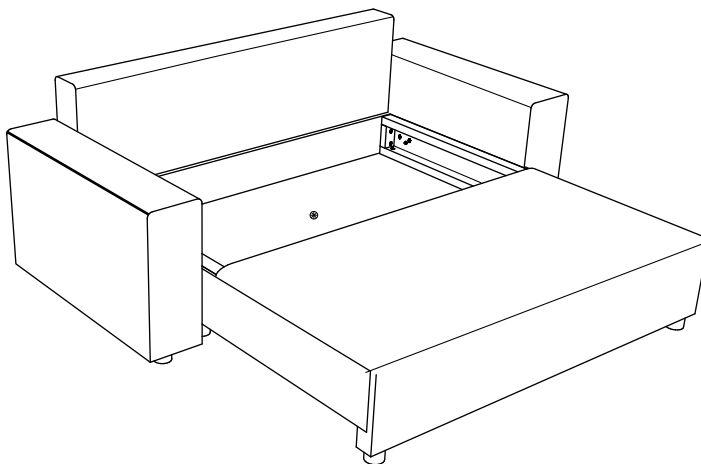
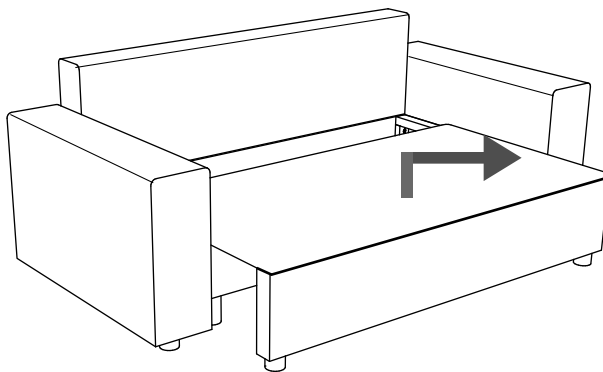
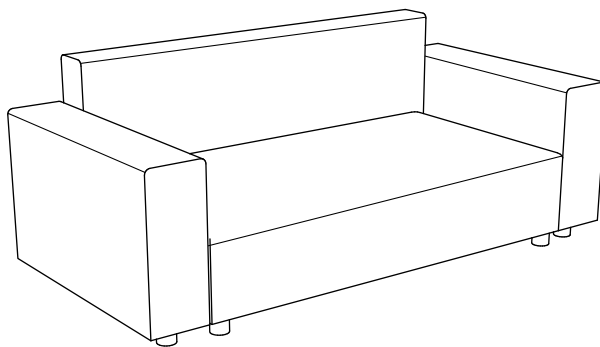


**E** x4

**F** x4



9



10

